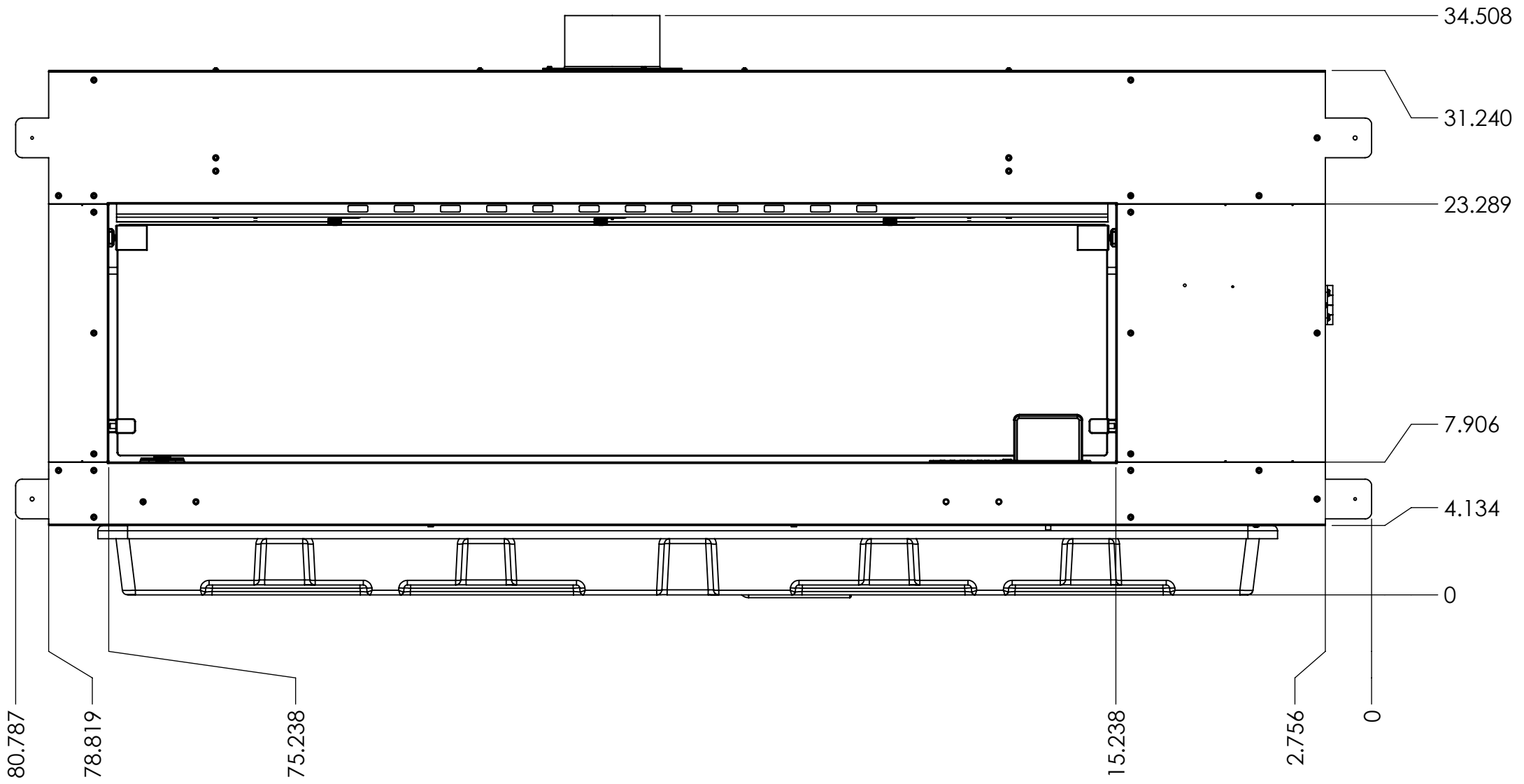
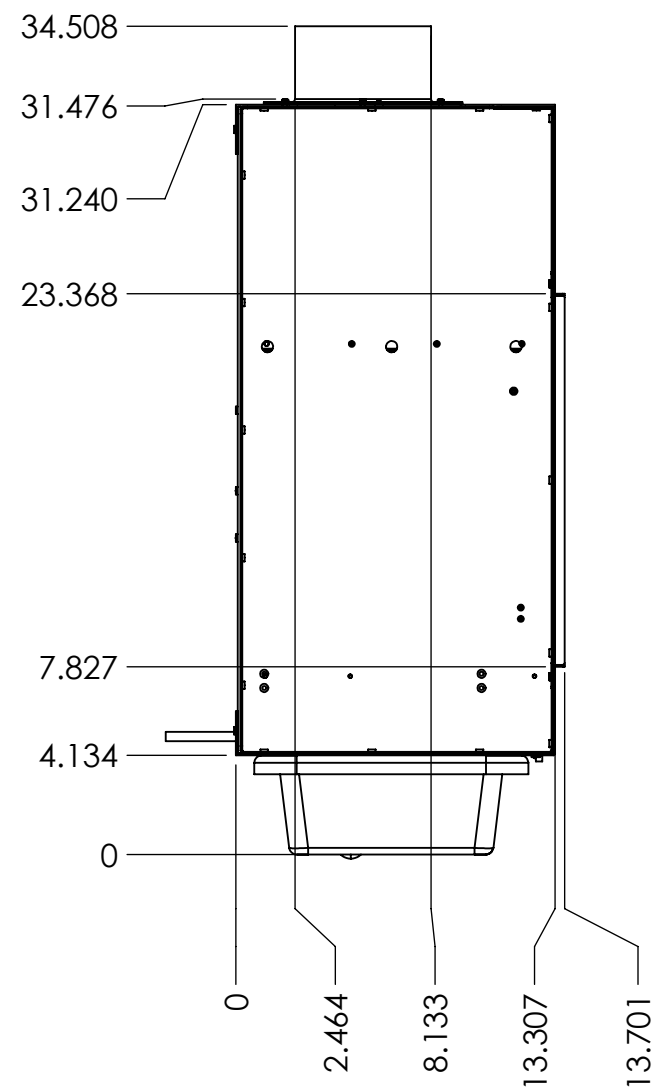
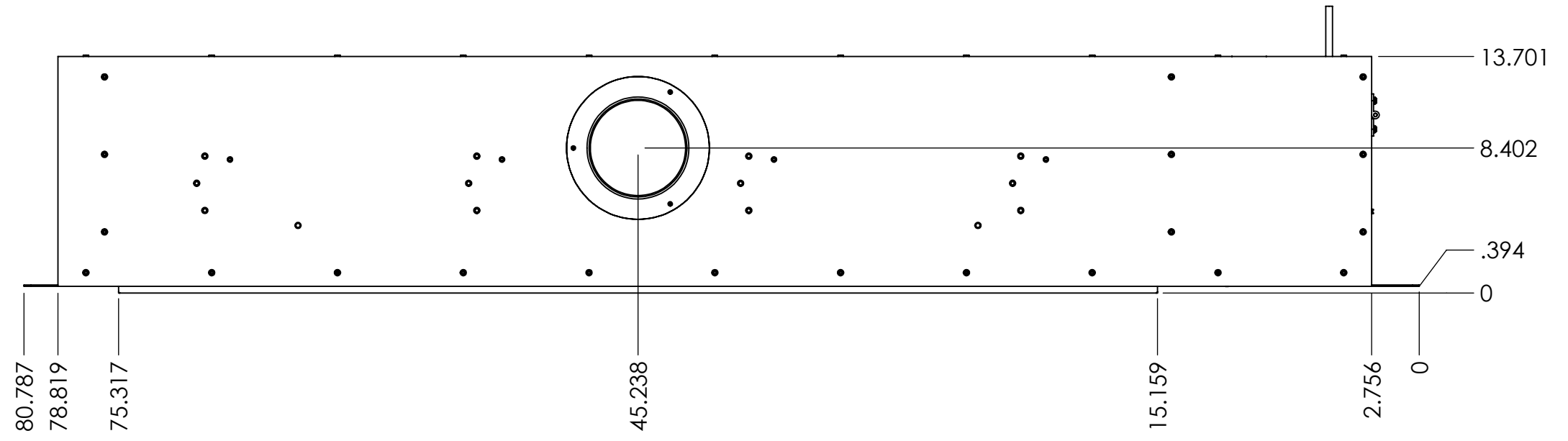


| REVISION | | | | |
|----------|-----|------------------------|-------|------|
| REV. | ECO | DESCRIPTION | INIT. | DATE |
| A | | RELEASE FOR PRODUCTION | | |



| | | |
|-----------------------------------|------------------------|--|
| INTERPRET PER ASME Y14.5M-2009 | | |
| TOLERANCE: | .X ±0.2 [0.01] | |
| | .XX ±0.10 [0.005] | |
| | .XXX ±0.025 [0.001] | |
| | .XXXX ±0.0125 [0.0005] | |
| | ANGLE ±0.5° | |

| | | |
|---|--------|-----|
| SIGNATURES: THIS DOCUMENT AUTHENTICATED WITH DIGITAL SIGNATURES | | |
| DRAWN/MODEL: | CHECK: | QA: |

HOTWIRE
development, I.I.C.
15354 N. 83RD WAY, STE102
SCOTTSDALE, AZ 85260 USA
PHONE: 480.496.2294
FAX: 480.496.2295

| | | | |
|--------|---------------|--------|---------|
| TITLE: | Modern Flames | | |
| PN: | | | |
| SCALE: | 1:8 | SHEET: | 1 OF: 1 |