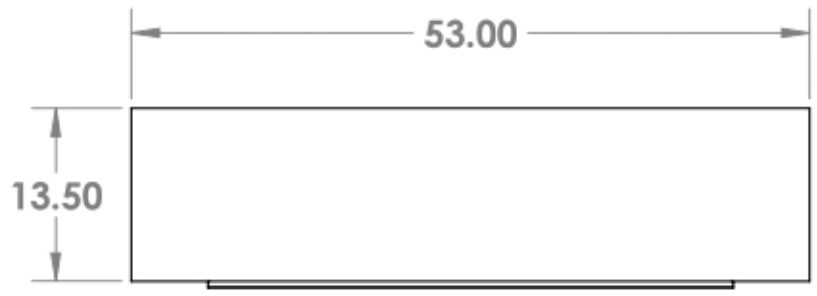


4

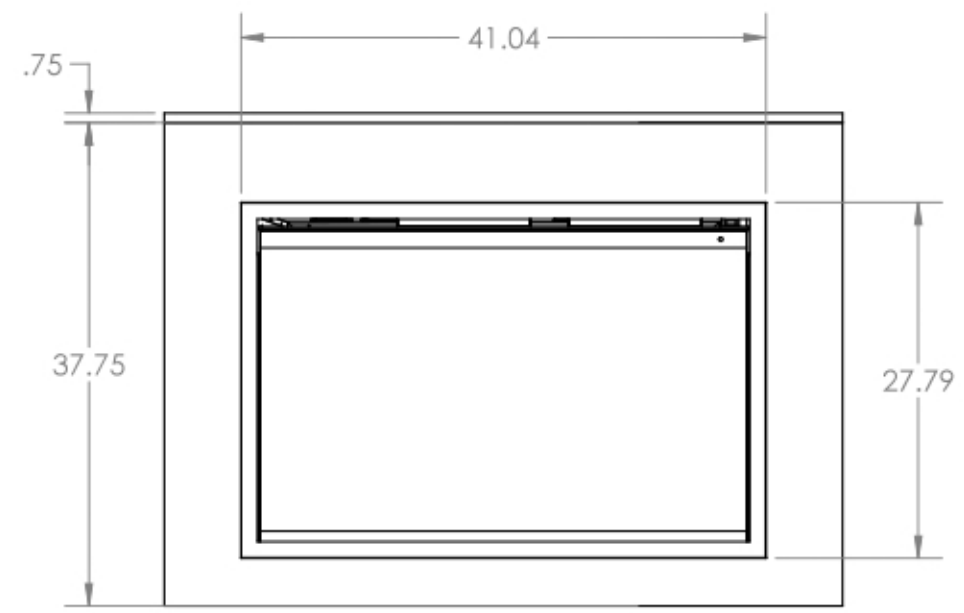
3

2

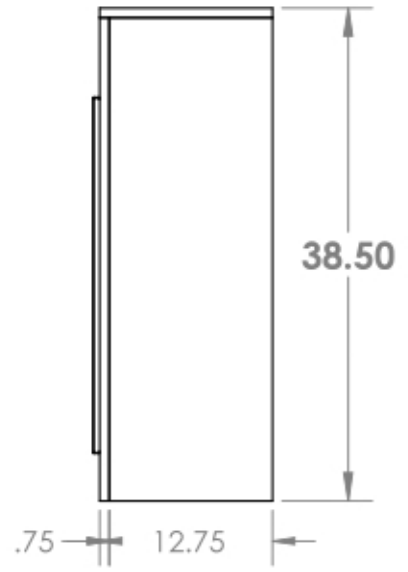
1



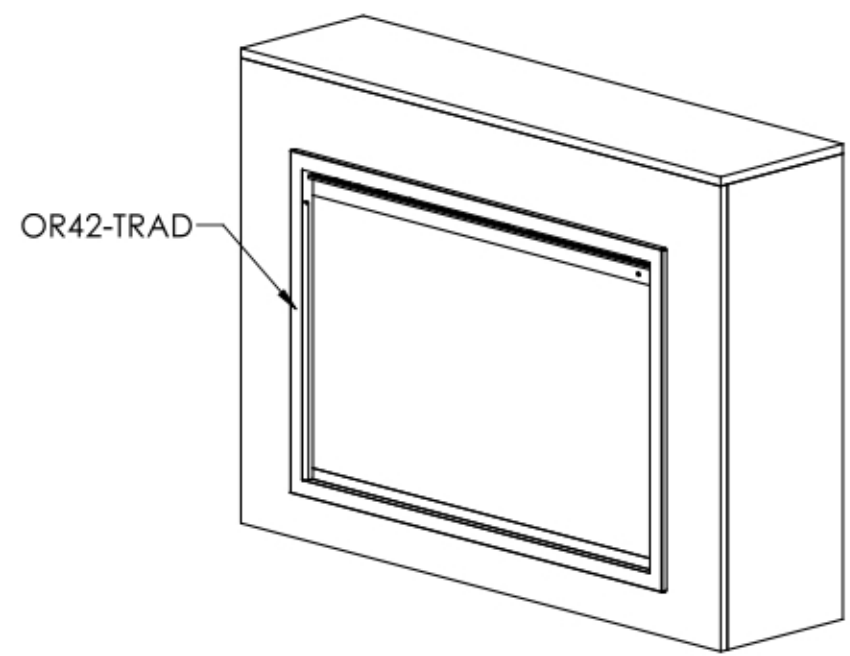
TOP VIEW



FRONT VIEW



SIDE ELEVATION



DIMETRIC VIEW

B

B

A

A

UNLESS OTHERWISE SPECIFIED:		NAME	DATE	RPG BRANDS
DIMENSIONS ARE IN INCHES		DRAWN	L P	
TOLERANCES:		CHECKED	H A	TITLE:
FRACTIONAL ±		ENG APPR.		TRADITIONAL 42"
ANGULAR: MACH ±1° BEND ±1°		MFG APPR.		PREMIUM DISPLAY
TWO PLACE DECIMAL ±.010		Q.A.		SIZE DWG. NO.
THREE PLACE DECIMAL ±.005		PROPRIETARY AND CONFIDENTIAL		B 0025-2 Stack display
INTERPRET GEOMETRIC TOLERANCING PER:		THE INFORMATION CONTAINED IN THIS DRAWING IS THE SOLE PROPERTY OF RICHARDSON'S PRODUCT GROUP. ANY REPRODUCTION IN PART OR AS A WHOLE WITHOUT THE WRITTEN PERMISSION OF RICHARDSON'S PRODUCT GROUP IS PROHIBITED.		SCALE: 1:15 WEIGHT:
MATERIAL		DO NOT SCALE DRAWING		SHEET 6 OF 6
FINISH				

4

3

2

1