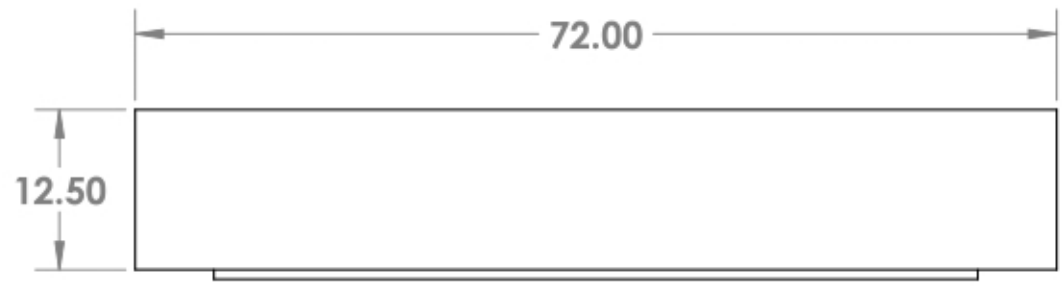


4

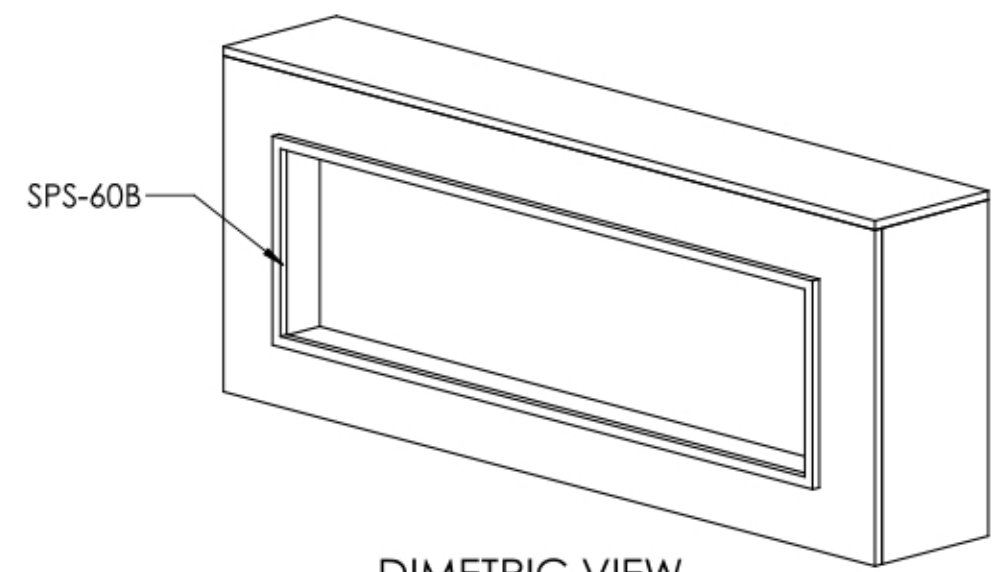
3

2

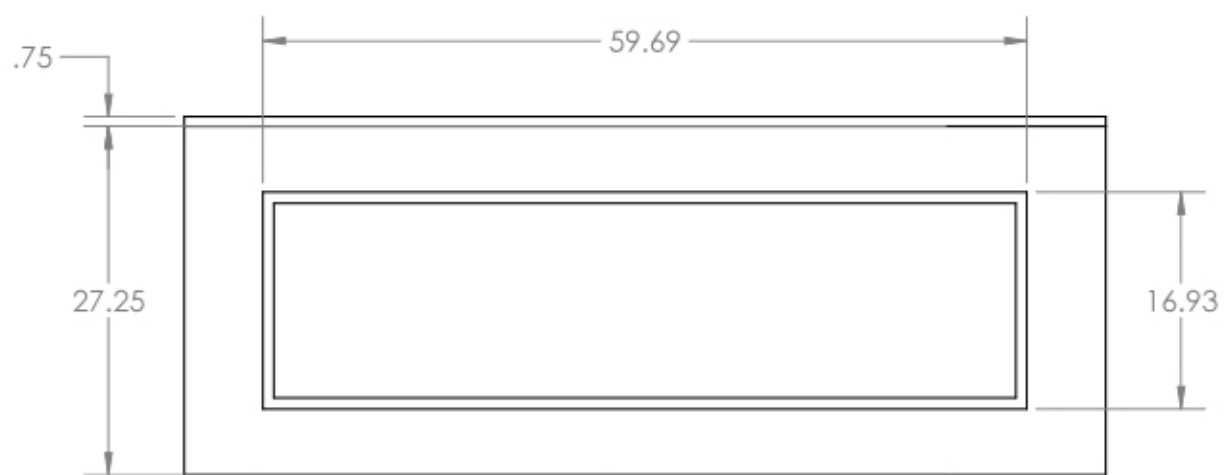
1



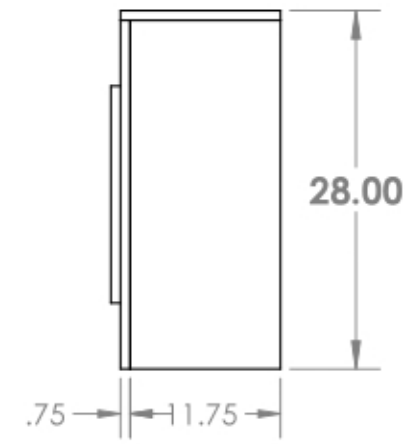
TOP VIEW



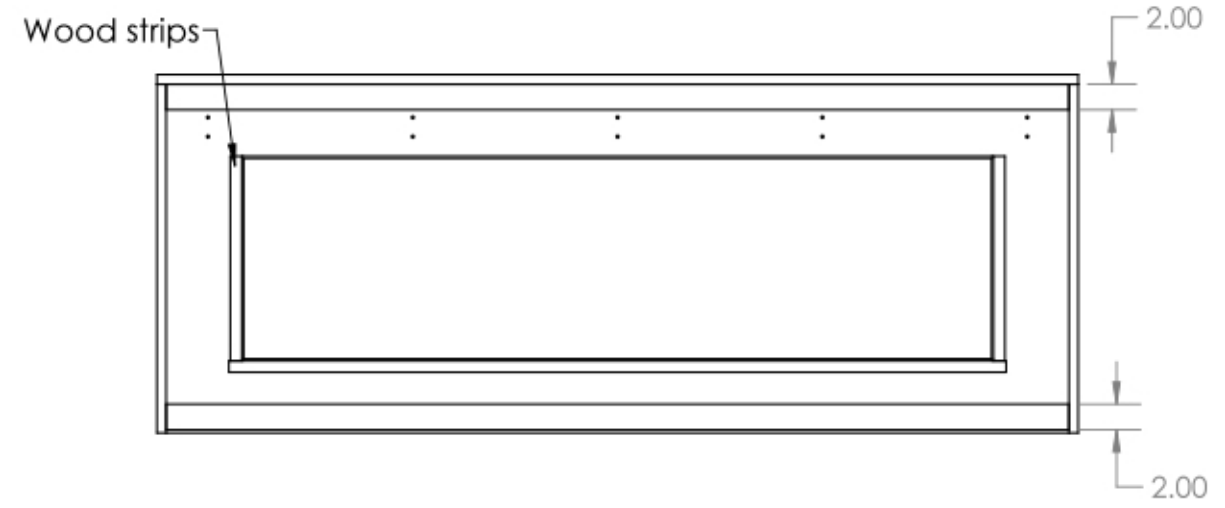
DIMETRIC VIEW



FRONT VIEW



SIDE ELEVATION



BACK VIEW

UNLESS OTHERWISE SPECIFIED:		NAME	DATE	RPG BRANDS
DIMENSIONS ARE IN INCHES		DRAWN		
TOLERANCES:		CHECKED		TITLE:
FRACTIONAL ±		ENG APPR.		SPECTRUM SLIM 60" PREMIUM DISPLAY
ANGULAR: MACH ±1° BEND ±1°		MFG APPR.		
TWO PLACE DECIMAL ±.010		Q.A.		
THREE PLACE DECIMAL ±.005		PROPRIETARY AND CONFIDENTIAL		SIZE DWG. NO.
INTERPRET GEOMETRIC TOLERANCING PER:		THE INFORMATION CONTAINED IN THIS DRAWING IS THE SOLE PROPERTY OF RICHARDSON'S PRODUCT GROUP. ANY REPRODUCTION IN PART OR AS A WHOLE WITHOUT THE WRITTEN PERMISSION OF RICHARDSON'S PRODUCT GROUP IS PROHIBITED.		B 0025-3 Stack display
MATERIAL		DO NOT SCALE DRAWING		SCALE: 1:15 WEIGHT: SHEET 5 OF 8
FINISH				

4

3

2

1