

Nova™ Clear

TRANSPARENT LASER PROJECTION TECHNOLOGY

48" x 24"

The **Nova™ Clear** combines advanced laser projection with refined craftsmanship to create a dual-sided electric fireplace unlike anything else on the market today.

KEY FEATURES

Transparent Flame Display

Experience ultra-realistic, high-definition flames with over 80% transparency, delivering a seamless, see-through visual effect that enhances any design.

Dual-Zone Heating

Heat two rooms simultaneously or separately with up to 2,500 BTUs per zone or concentrate all the heat on one side with up to 5,000 BTUs. For warmer climates, enjoy the fireplace without heat.

Entertainment-Ready

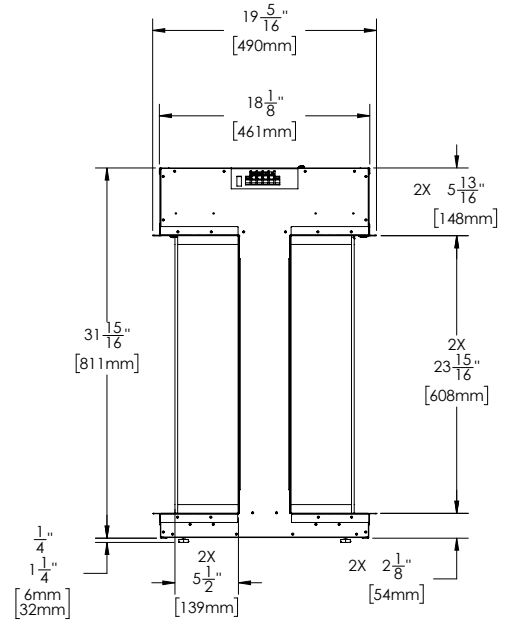
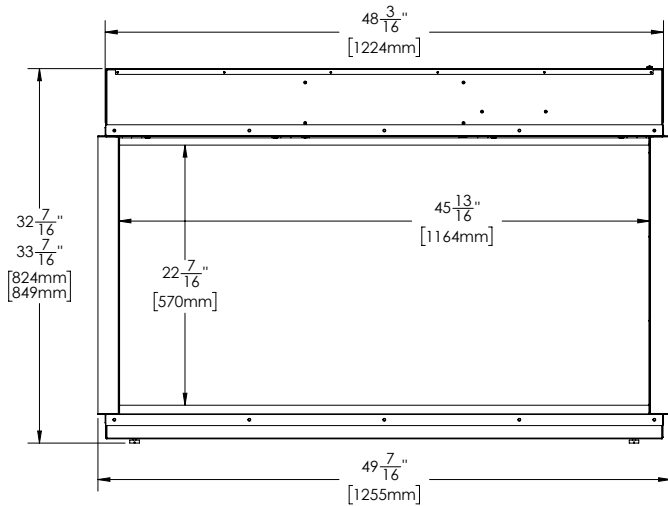
When not used as a fireplace, the Nova™ Clear transforms into a transparent media display, easily stream TV, movies, or gaming content when not in use as a fireplace.

Immersive Sound

Enhance the atmosphere with Dolby® Audio that delivers rich, realistic sound with three authentic crackling fire sound options or Bluetooth audio streaming for music or media.



Nova™ Clear Specifications



Sample Installation Styles

