

Orion[®] V2 Series

Virtual LCD Fireplaces

MODERN FLAMES[®]
ELECTRIC FIREPLACES





Table of Contents

- Flames of the Future 4-5
- Superior Visuals 6
- Premium Audio & Smart Heating 7
- Signature Upgrades 8
- Why Orion V2 9
- Orion V2 Traditional10-12
- Orion V2 Multi13-15
- Orion V2 Slim16-18
- Modern Flames + App 19
- Model Overview20



In 2022, Modern Flames shook the fireplace industry by introducing the Orion® Virtual LCD Electric Fireplace. Now, back with the same innovative mindset, Orion V2 is disrupting the electric fireplace industry with realism, technology, and design. As the pioneer of LCD flame technology, we have reimagined that same technology with the future in mind.

Orion V2 transforms the fireplace from a simple appliance into a fully immersive experience - combining advanced virtual LCD flame technology, premium audio, and intelligent design to create a true focal point in any space.

More than a screen or flame effect, Orion V2 delivers a fully immersive experience. Designed to captivate from any angle, with multi-dimensional flames, lifelike log reflections, immersive crackling audio, layered lighting, and smart features that work together to create a centerpiece you'll be proud to showcase.

Designed and engineered by Modern Flames in Phoenix, Arizona.



Flames of the Future

Refined Flame Styles and Expanded Flame Library

Orion® V2's advanced flame styles produce deep, multi-dimensional flames with 24 flame options instantly available. Each flame is engineered for lifelike movement, rich color, and a truly immersive experience, setting a new benchmark for virtual electric fireplace realism.

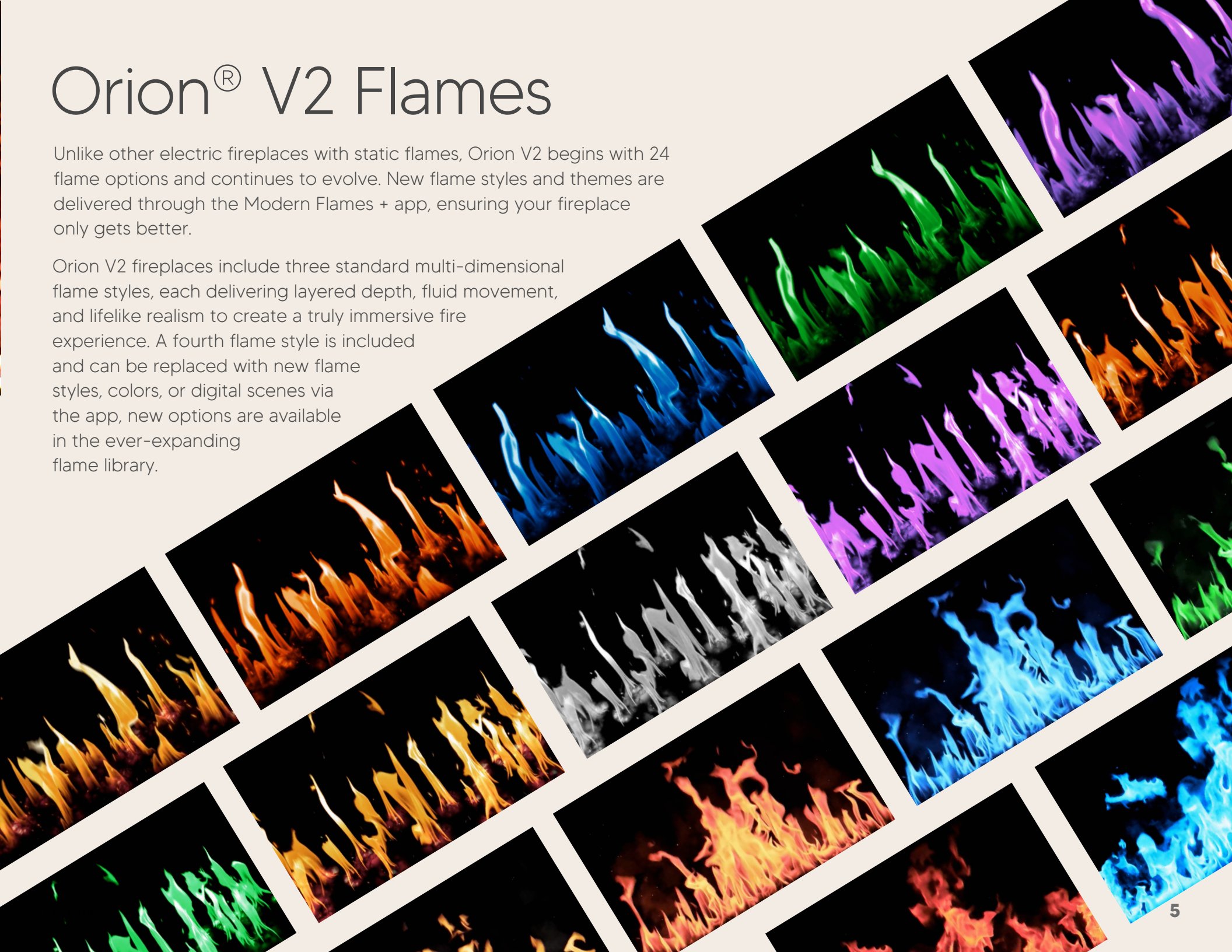
Over-the-Air Flame Updates

Orion V2 evolves long after installation. New flame styles are delivered through the Modern Flames + app, making it a continually improving digital platform rather than a static appliance. You get fresh designs and future-ready functionality long after your initial purchase.

Orion[®] V2 Flames

Unlike other electric fireplaces with static flames, Orion V2 begins with 24 flame options and continues to evolve. New flame styles and themes are delivered through the Modern Flames + app, ensuring your fireplace only gets better.

Orion V2 fireplaces include three standard multi-dimensional flame styles, each delivering layered depth, fluid movement, and lifelike realism to create a truly immersive fire experience. A fourth flame style is included and can be replaced with new flame styles, colors, or digital scenes via the app, new options are available in the ever-expanding flame library.



Superior Visuals

Next-Generation LCD Technology



Upgraded LCD Displays for Superior Brightness and Deeper Blacks

Orion® V2 features a next-generation LCD display delivering sharper contrasts, deeper blacks, and richer colors. Flames are multi-dimensional, vibrant, and more lifelike than ever. The refined LCD panels provide a sharper image, vibrant flame colors and improved viewing from any angle.

Adaptive Brightness for Perfect Ambiance (Day or Night)

Orion V2 automatically adjusts flame brightness to match your room's lighting, ensuring the perfect look at any time of day. Whether your space is filled with natural daylight or darkened for evening relaxation, the flames always appear balanced, vivid, and natural.

Premium Audio & Smart Heating

Engineered to match the realism of the flames, Orion® V2 delivers the most advanced and immersive sound experience available in an electric fireplace.

Custom Modern Flames Speakers

Built-in speakers custom engineered for the Orion V2 transform your fireplace into a fully immersive audio experience.

Bluetooth Audio Streaming

Transform your fireplace into an immersive audio experience. Stream music, podcasts, or ambient soundscapes directly through the custom premium speakers via Bluetooth connectivity. It's not just warmth and ambiance; it's your new entertainment centerpiece.

Three Ambient Crackling Sound Options

Choose the perfect mood with three ultra-realistic crackling soundscapes - Classic Crackling, Starry Night, and Stormy Night. Each is professionally engineered to recreate the warmth and comfort of a natural wood fire, without the mess, smoke, or maintenance.

Smart Heating Performance

Advanced PTC ceramic heating delivers fast, consistent warmth and quiet operation. Energy use is optimized to maintain steady heat for a more efficient, comfortable experience.



Signature Upgrades



Highly Realistic Lit Log Set

Crafted from real split wood, the Orion® V2 log set offers stunning authenticity. Lit logs are available on the Traditional and Multi units creating a truly realistic hearth experience. Brighter downlights highlight the logs on all units, adding character and depth.

Active Ember Bed

The active glowing ember bed adds movement, texture, and vivid color beneath the logs. It creates layered visual depth, bringing the entire fireplace to life.

Premium Remote Control

Orion V2 includes a thoughtfully designed remote for instant control of flames, lighting, heat, and audio. Whether you prefer tactile control or app-based smart management, the Orion V2 fits your lifestyle effortlessly.

Why Orion[®] V2?

| The most advanced electric fireplace platform on the market.

A New Standard in Flame Technology

Orion V2 uses advanced virtual LCD technology to create deeper, more realistic flames that traditional electric fireplaces cannot match.

More Than a Fireplace — An Immersive Experience

Multi-dimensional flames combined with immersive audio, hyper-realistic logs, and layered lighting create an electric fireplace experience never seen before.

A Fireplace That Evolves Over Time

New flames styles, visual experiences, and features are delivered through the Modern Flames + app, keeping your fireplace current, refined, and uniquely yours.

Unmatched Installation Flexibility

Designed for new builds, remodels, and upgrading existing fireplaces. Built-in clean face, self-trimming, wall-mounted, or retrofit into existing fireplaces — no other electric fireplace offers this level of flexibility.

Performance to Match the Design

Advanced PTC ceramic heating delivers fast, consistent warmth with quiet operation. Power use is optimized to maintain steady heat for efficient, uninterrupted comfort.

5-Year Warranty + Dedicated Support.
Industry-leading coverage for long-term confidence.



Orion[®] V2 Traditional



Easily installs as a built-in clean face, self-trimming, or retrofit replacement for existing fireplaces.



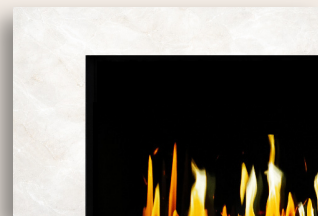
Model Name

Orion V2 26" Traditional
Orion V2 30" Traditional
Orion V2 36" Traditional
Orion V2 42" Traditional
Orion V2 54" Traditional

Model Number

OR26-TRAD-V2
OR30-TRAD-V2
OR36-TRAD-V2
OR42-TRAD-V2
OR54-TRAD-V2

Installation Options



Built-In Clean Face



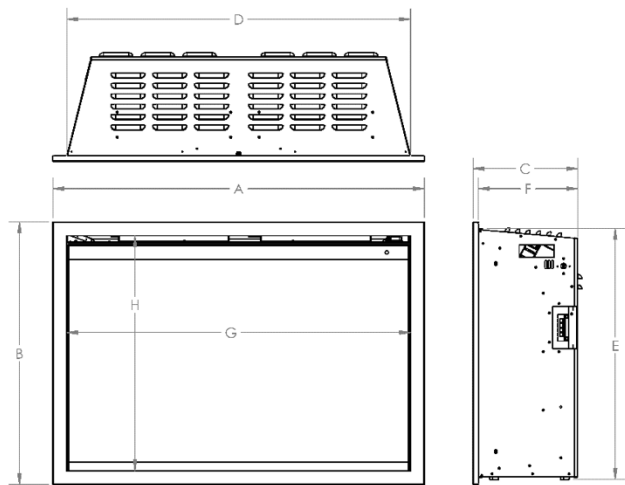
Self-Trimming



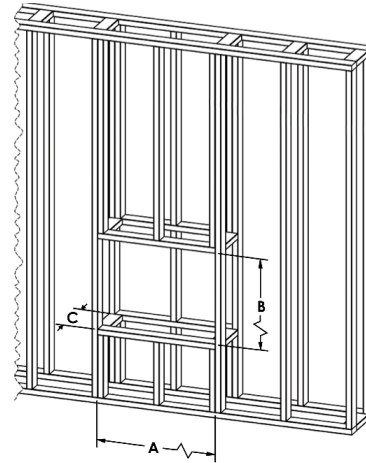
Retrofit

Orion® V2 Traditional Appliance and Framing Dimensions

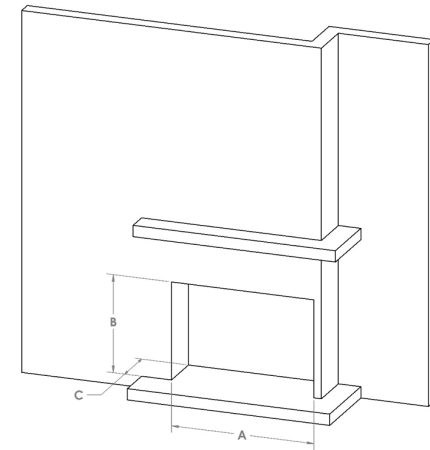
ORION® V2 TRADITIONAL



Rough Opening



Finished Opening



SIZES	26" & 30"	36", 42" & 54"
HEATING CAPACITY	5,000 (up to 400 sq ft)	5,000-8,500 (400-700 sq ft)
VOLTAGE OPTIONS	120V	120V / 240V (dual)
POWER OPTIONS	120V plug included, hardwire ready	120V plug included, hardwire ready

APPLIANCE DIMENSIONS									ROUGH OPENING FRAMING DIMENSIONS FOR BUILT-IN CLEAN FACE			FINISHED OPENING DIMENSIONS FOR SELF-TRIMMING			
MODEL NUMBER	A	B	C	D	E	F	G	H	MODEL NUMBER	A	B	C	A	B	C
OR26-TRAD-V2	25" (636mm)	19-5/8" (500mm)	9-7/8" (250mm)	22-3/4" (578mm)	18-1/2" (470mm)	9-3/8" (238mm)	22-7/16" (570mm)	17-1/16" (433mm)	OR26-TRAD-V2	23" (584mm)	18-3/4" (477mm)	10-1/2" min. (267mm min.)	23" (584mm)	18-3/4" (477mm)	10 min. (254mm)
OR30-TRAD-V2	30-1/2" (776mm)	19-5/8" (500mm)	9-7/8" (250mm)	28" (711mm)	18-1/2" (470mm)	9-3/8" (238mm)	27-5/8" (702mm)	17-1/16" (433mm)	OR30-TRAD-V2	28-1/4" (718mm)	18-3/4" (477mm)	10-1/2" min. (267mm min.)	28-1/4" (718mm)	18-3/4" (477mm)	10 min. (254mm)
OR36-TRAD-V2	35" (890mm)	24-13/16" (630mm)	9-7/8" (250mm)	32-3/8" (823mm)	23-5/8" (600mm)	9-3/8" (238mm)	32-1/8" (816mm)	22-3/16" (563mm)	OR36-TRAD-V2	32-5/8" (829mm)	23-7/8" (607mm)	10-1/2" min. (267mm min.)	32-5/8" (829mm)	23-7/8" (607mm)	10 min. (254mm)
OR42-TRAD-V2	41" (1042mm)	27-13/16" (706mm)	9-7/8" (250mm)	38-3/8" (975mm)	26-5/8" (676mm)	9-3/8" (238mm)	38-1/8" (968mm)	25-3/16" (640mm)	OR42-TRAD-V2	38-3/4" (985mm)	26-3/4" (680mm)	10-1/2" min. (267mm min.)	38-3/4" (985mm)	26-3/4" (680mm)	10 min. (254mm)
OR54-TRAD-V2	53-3/8" (1355mm)	33-13/16" (858mm)	9-7/8" (250mm)	50-11/16" (1288mm)	32-5/8" (829mm)	9-3/8" (238mm)	50-3/8" (1280mm)	31-3/16" (792mm)	OR54-TRAD-V2	50-15/16" (1294mm)	32-3/4" (832mm)	10-1/2" min. (267mm min.)	50-15/16" (1294mm)	32-3/4" (832mm)	10 min. (254mm)

Orion[®] V2 Multi



Designed for maximum flexibility with multiple built-in configurations or wall-mounted options.



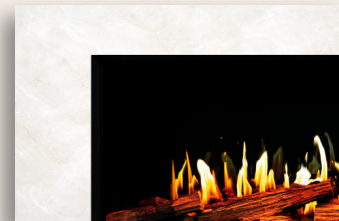
Model Name

Orion V2 52" Multi
Orion V2 60" Multi
Orion V2 76" Multi
Orion V2 100" Multi
Orion V2 120" Multi

Model Number

OR52-MULTI-V2
OR60-MULTI-V2
OR76-MULTI-V2
OR100-MULTI-V2
OR120-MULTI-V2

Installation Options



Built-In Clean Face



Wall-Mounted

Orion[®] Multi Install Options

ORION[®] V2 MULTI



Three Sided/Bay Built-In



Wall-Mount with Studio Suites Mantel

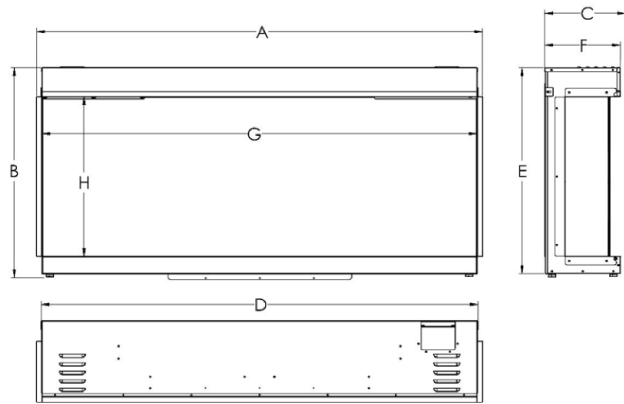


Single Sided Built-In

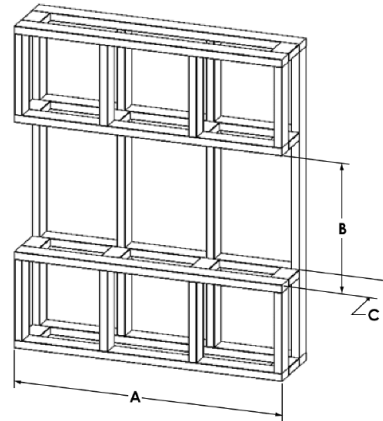


Corner Built-In (L/R)

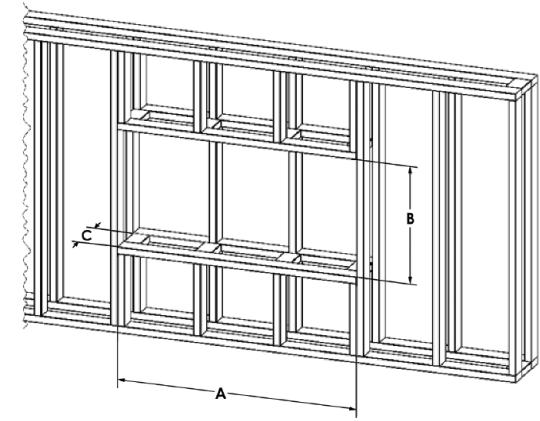
Orion® V2 Multi Appliance and Framing Dimensions



**Rough Opening
Three Sided/Bay**



**Rough Opening
Fully Recessed**



HEATING CAPACITY	5,000-10,000 (400-800 sq ft)
VOLTAGE OPTIONS	120V / 240V (dual)
POWER OPTIONS	120V plug included, hardwire ready

APPLIANCE DIMENSIONS									ROUGH OPENING FRAMING DIMENSIONS FOR BUILT-IN CLEAN FACE				
MODEL NUMBER	A	B	C	D	E	F	G	H	MODEL NUMBER	A	A (3-Sided/Bay)	B	C (Fully Recessed)
OR52-MULTI-V2	51-1/2" (1308mm)	24-5/16" (618mm)	9-9/16" (240mm)	50-5/8" (1286mm)	23-7/8" (606mm)	8-15/16" (224mm)	50-1/8" (1274mm)	18-7/16" (468mm)	OR52-MULTI-V2	51" (1295mm)	50-5/8" (1286mm)	24-3/4" (629mm)	9" min. (229mm min.)
OR60-MULTI-V2	60" (1524mm)	24-5/16" (618mm)	9-9/16" (240mm)	59-1/8" (1502mm)	23-7/8" (606mm)	8-15/16" (224mm)	58-11/16" (1491mm)	18-7/16" (468mm)	OR60-MULTI-2	59-1/2" (1511mm)	59-1/8" (1502mm)	24-3/4" (629mm)	9" min. (229mm min.)
OR76-MULTI-V2	75-3/4" (1925mm)	24-5/16" (618mm)	9-9/16" (240mm)	74-15/16" (1904mm)	23-7/8" (606mm)	8-15/16" (224mm)	74-7/16" (1891mm)	18-7/16" (468mm)	OR76-MULTI-V2	75-1/4" (1911mm)	74-15/16" (1904mm)	24-3/4" (629mm)	9" min. (229mm min.)
OR100-MULTI-V2	100" (2542mm)	24-5/16" (618mm)	9-9/16" (240mm)	99-1/4" (2521mm)	23-7/8" (606mm)	8-15/16" (224mm)	98-3/4" (2508mm)	18-7/16" (468mm)	OR100-MULTI-V2	99-1/2" (2527mm)	99-1/4" (2521mm)	24-3/4" (629mm)	9" min. (229mm min.)
OR120-MULTI-V2	124-3/8" (3159mm)	24-5/16" (618mm)	9-9/16" (240mm)	123-1/2" (3137mm)	23-7/8" (606mm)	8-15/16" (224mm)	123" (3125mm)	18-7/16" (468mm)	OR120-MULTI-V2	124" (3150mm)	123-1/2" (3137mm)	24-3/4" (629mm)	9" min. (229mm min.)

Orion[®] V2 Slim



Ideal for modern spaces with built-in clean face, self-trimming, or wall-mounted installation options



Model Name

Orion V2 52" Slim
Orion V2 60" Slim
Orion V2 76" Slim
Orion V2 100" Slim

Model Number

OR52-SLIM-V2
OR60-SLIM-V2
OR76-SLIM-V2
OR100-SLIM-V2

Installation Options



Built-In Clean Face



Self-Trimming



Wall-Mounted

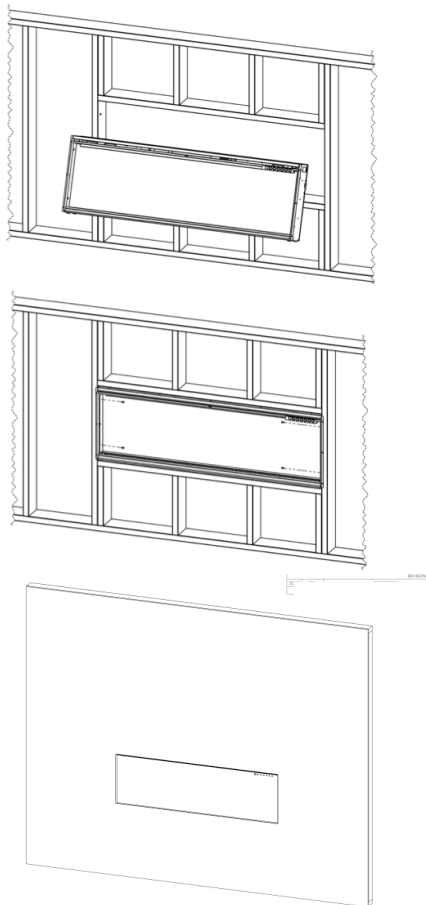
Orion[®] V2 Slim

ORION[®] V2 SLIM

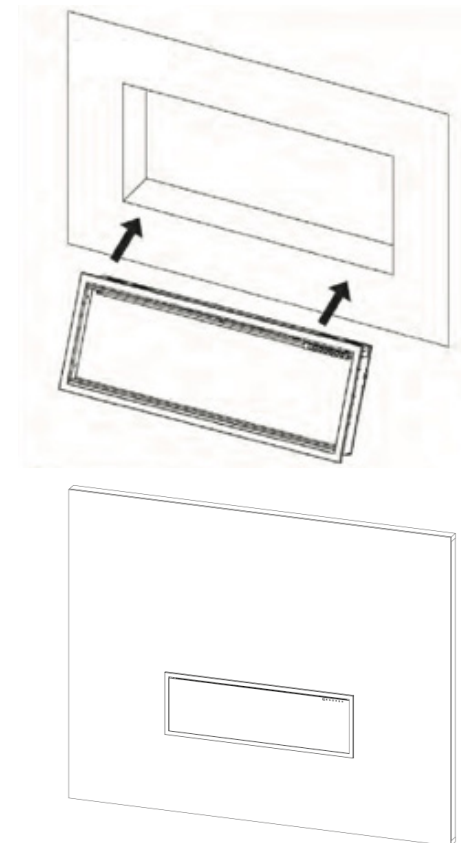
Now Available as a Built-in or a Self-Trimming

The Orion V2 Slim is now able to be installed as a built-in. Simply replace the trim kit with the included drywall stops for a clean face finish in any 6" wall.

Built-In Clean Face-In Installation

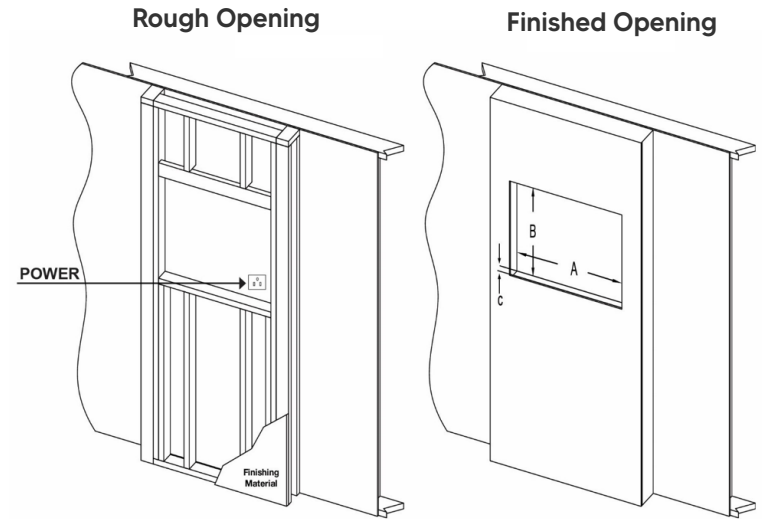
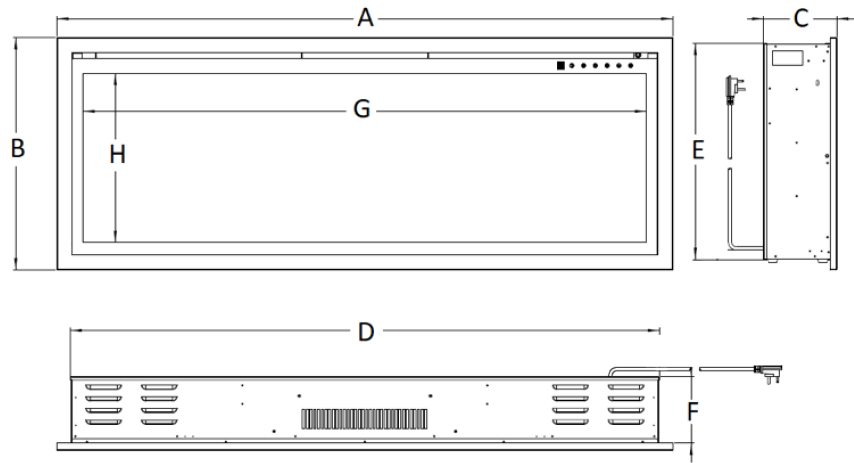


Self-Trimming/Slide In Installation



Orion® V2 Slim Appliance and Framing Dimensions

ORION® V2 SLIM

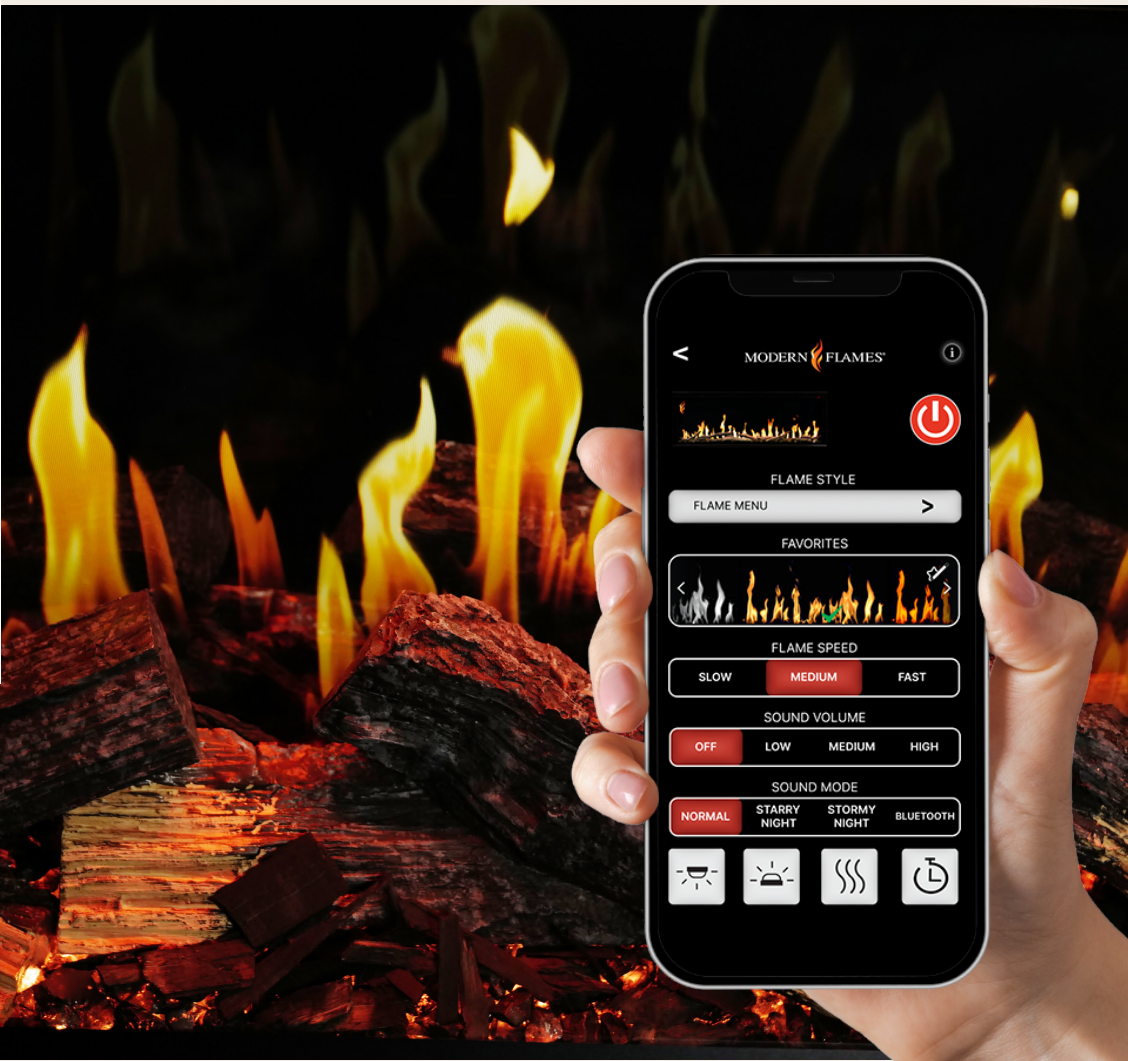


HEATING CAPACITY	5,000 (up to 400 sq ft)
VOLTAGE OPTIONS	120V
POWER OPTIONS	120V plug included, hardwire ready

APPLIANCE DIMENSIONS									ROUGH OPENING FRAMING DIMENSIONS FOR BUILT-IN CLEAN FACE			FINISHED OPENING DIMENSIONS FOR SELF-TRIMMING			
MODEL NUMBER	A	B	C	D	E	F	G	H	MODEL NUMBER	A	B	C	A	B	C
OR52-SLIM-V2	52-3/8" (1330mm)	19-5/8" (499mm)	6-5/16" (160mm)	50-1/4" (1276mm)	18-3/4" (476mm)	5-3/4" (146mm)	47-7/8" (1216mm)	14-3/8" (364mm)	OR52-SLIM-V2	50-3/4" (1289mm)	19-1/8" (486mm)	6-1/2" (165mm)	50-3/4" (1289mm)	19-1/8" (486mm)	6" min. (152mm min.)
OR60-SLIM-V2	60" (1524mm)	19-5/8" (499mm)	6-5/16" (160mm)	58" (1473mm)	18-3/4" (476mm)	5-3/4" (146mm)	55-1/2" (1410mm)	14-3/8" (364mm)	OR60-SLIM-V2	58-1/2" (1486mm)	19-1/8" (486mm)	6-1/2" (165mm)	58-1/2" (1486mm)	19-1/8" (486mm)	6" min. (152mm min.)
OR76-SLIM-V2	76-5/8" (1947mm)	19-5/8" (499mm)	6-5/16" (160mm)	74-5/8" (1895mm)	18-3/4" (476mm)	5-3/4" (146mm)	72-3/16" (1833mm)	14-3/8" (364mm)	OR76-SLIM-V2	75-1/8" (1908mm)	19-1/8" (486mm)	6-1/2" (165mm)	75-1/8" (1908mm)	19-1/8" (486mm)	6" min. (152mm min.)
OR100-SLIM-V2	101" (2564mm)	19-5/8" (499mm)	6-5/16" (160mm)	98-7/8" (2511mm)	18-3/4" (476mm)	5-3/4" (146mm)	96-7/16" (2450mm)	14-3/8" (364mm)	OR100-SLIM-V2	99-1/2" (2527mm)	19-1/8" (486mm)	6-1/2" (165mm)	99-1/2" (2527mm)	19-1/8" (486mm)	6" min. (152mm min.)

Modern Flames[®] + App

New App Experience with Advanced Customization



The First Fireplace That Evolves with You

Introducing a new level of personalization for Orion[®] V2 virtual electric LCD fireplaces. With our new mobile app, you can download and install additional flame styles and video experiences directly to your fireplace.

Choose from a growing library of premium flame designs and immersive visuals, and store up to six at a time. Whether you want a classic fire, modern aesthetic, or completely unexpected visual experience, your fireplace can now adapt to your mood, your space, and your style.

This is more than a fireplace. It's a statement piece continuously refreshed, endlessly customizable.



Modern Flames
+ App





Three Models. One Platform. Endless Possibilities.

The Orion[®] V2 Series delivers flexible installation options with high-performance features across the entire line, allowing you to choose the right model for your specific application without compromising flame quality or design.



Orion[®] V2 Traditional
Sizes: 26" · 30" · 36" · 42" · 54"

Orion V2 Traditional

Slides into an existing fireplace opening or installs as a built-in clean face using the included kit for a minimal, streamlined finish.

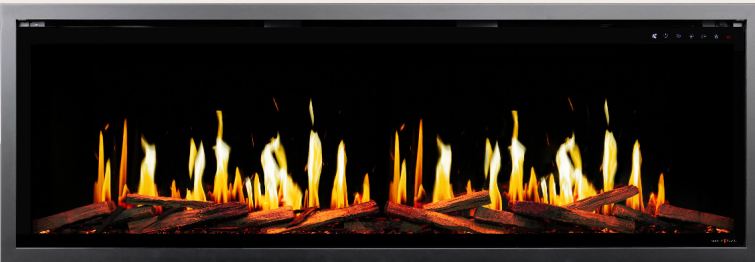
Orion V2 Multi

Built-in clean-face, single-sided design configurable as a single sided, left corner, right corner, or bay for versatile placement.

Features a deeper firebox than the Orion Slim to accommodate a full-sized lit log set.



Orion[®] V2 Multi
Sizes: 52" · 60" · 76" · 100" · 120"



Orion[®] V2 Slim
Sizes: 52" · 60" · 76" · 100"

Orion V2 Slim

Engineered for 2x6 walls, slides in after finished wall materials with a self-trimming finish and includes a built-in clean-face kit for a flush finish to the wall.

No matter the model, every Orion V2 delivers the same industry-leading flame realism, performance, and technology.