

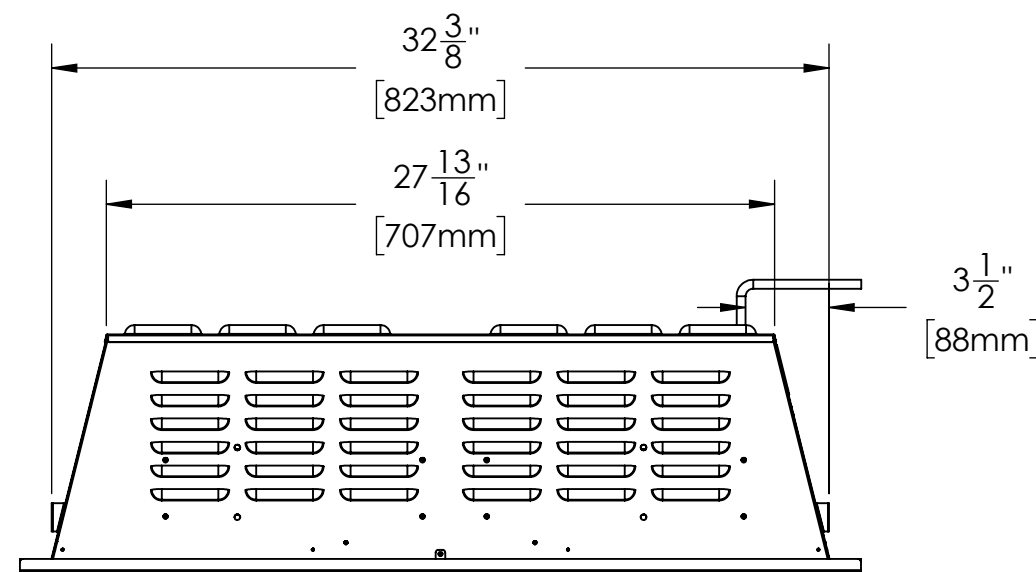
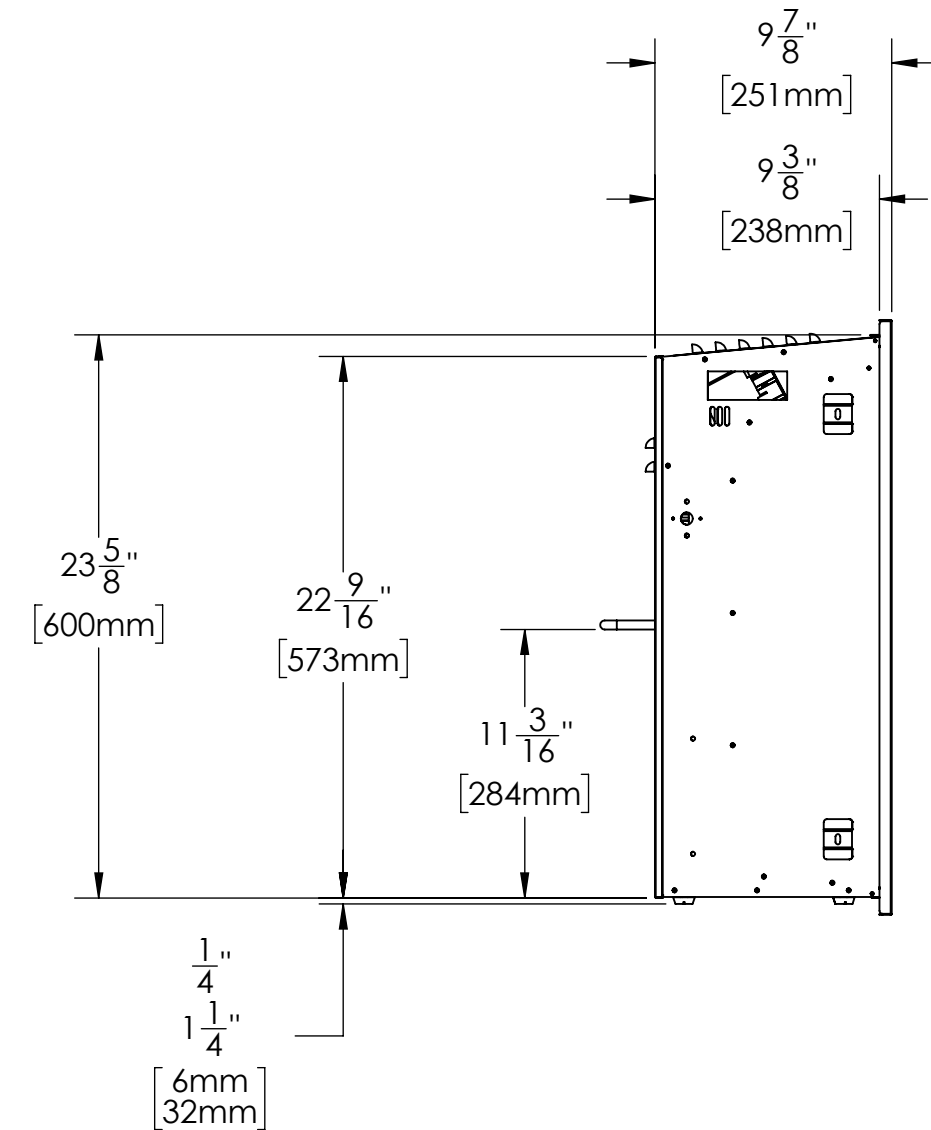
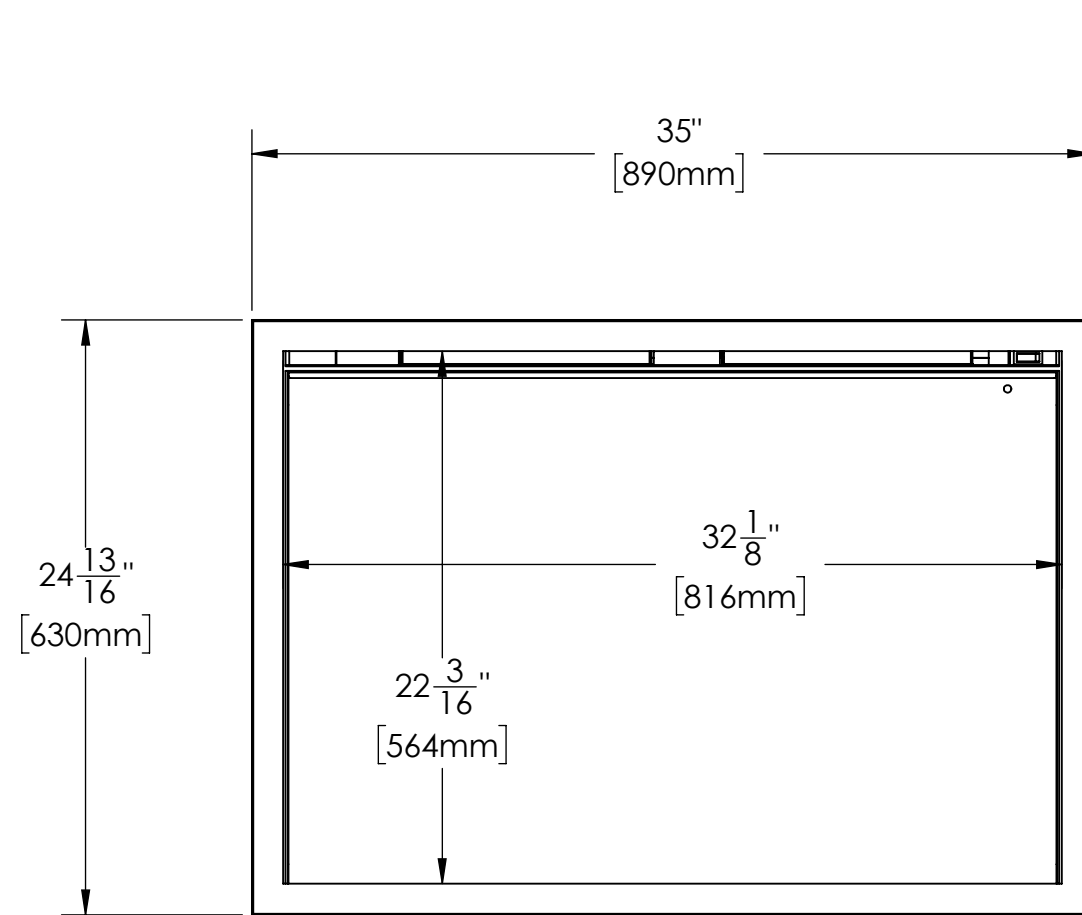
4

3

2

1

REVISIONS					
ZONE	REV.	DESCRIPTION	DRAWN	DATE	APPROVED



UNLESS OTHERWISE SPECIFIED:	NAME	DATE
DIMENSIONS ARE IN INCHES	DRAWN	
TOLERANCES:	CHECKED	
FRACTIONAL ±1/16"	ENG APPR.	
ANGULAR: MACH ±2° BEND ±2°	MFG APPR.	
ONE PLACE DECIMAL ±.1	Q.A.	
TWO PLACE DECIMAL ±.06		
THREE PLACE DECIMAL ±.030		
INTERPRET GEOMETRIC TOLERANCING PER:	<b>PROPRIETARY AND CONFIDENTIAL</b>	
MATERIAL	THIS INFORMATION CONTAINED IN THIS DRAWING IS THE SOLE PROPERTY OF RICHARDSON PRODUCTS GROUP (RPG BRANDS). ANY REPRODUCTION IN PART OR AS A WHOLE WITHOUT THE WRITTEN PERMISSION OF RICHARDSON PRODUCTS GROUP (RPG BRANDS) IS PROHIBITED.	
FINISH		
DO NOT SCALE DRAWING		

<b>RPG BRANDS</b>		
TITLE: ORION TRADITIONAL 36" V1 & V2		
SIZE <b>B</b>	DWG. NO. OR36-Trad	REV
SCALE: 1:8	WEIGHT:	SHEET 1 OF 1

4

3

2

1

B

B

A

A