

4

3

2

1

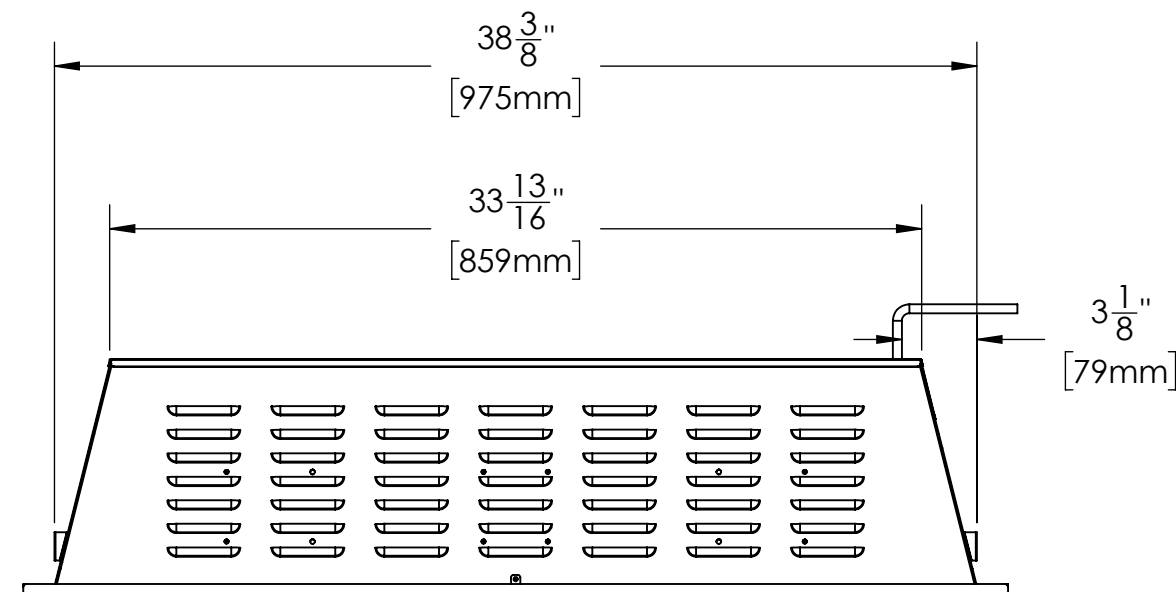
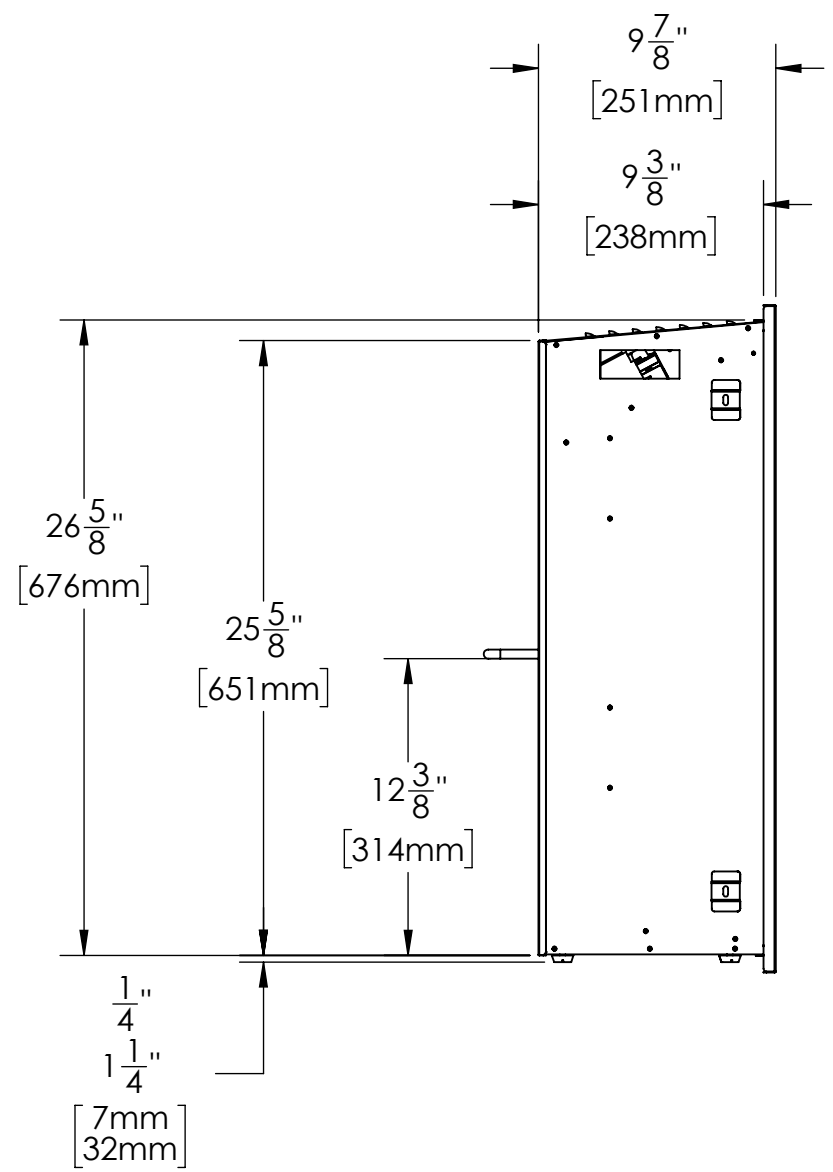
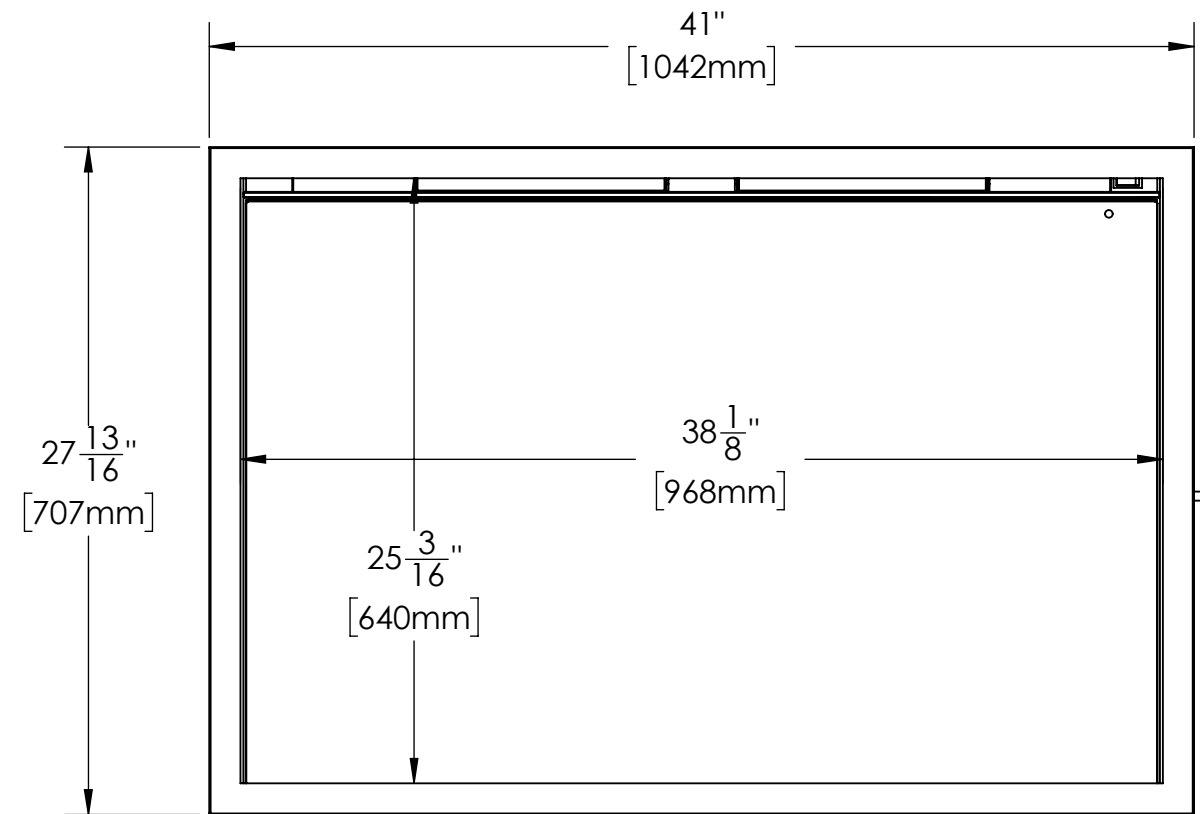
REVISIONS					
ZONE	REV.	DESCRIPTION	DRAWN	DATE	APPROVED

B

A

B

A



UNLESS OTHERWISE SPECIFIED:	NAME	DATE	
DIMENSIONS ARE IN INCHES	DRAWN		
TOLERANCES:	CHECKED		
FRACTIONAL ±1/16"	ENG APPR.		
ANGULAR: MACH ±2° BEND ±2°	MFG APPR.		
ONE PLACE DECIMAL ±.1	Q.A.		
TWO PLACE DECIMAL ±.06	PROPRIETARY AND CONFIDENTIAL THE INFORMATION CONTAINED IN THIS DRAWING IS THE SOLE PROPERTY OF RICHARDSON PRODUCTS GROUP (RPG BRANDS). ANY REPRODUCTION IN PART OR AS A WHOLE WITHOUT THE WRITTEN PERMISSION OF RICHARDSON PRODUCTS GROUP (RPG BRANDS) IS PROHIBITED.		
THREE PLACE DECIMAL ±.030			
INTERPRET GEOMETRIC TOLERANCING PER:			
MATERIAL	SIZE	DWG. NO.	REV
FINISH	B	OR42-Trad	
DO NOT SCALE DRAWING	SCALE: 1:8	WEIGHT:	SHEET 1 OF 1

RPG BRANDS

TITLE: ORION TRADITIONAL 42" V1 & V2

4

3

2

1