

4

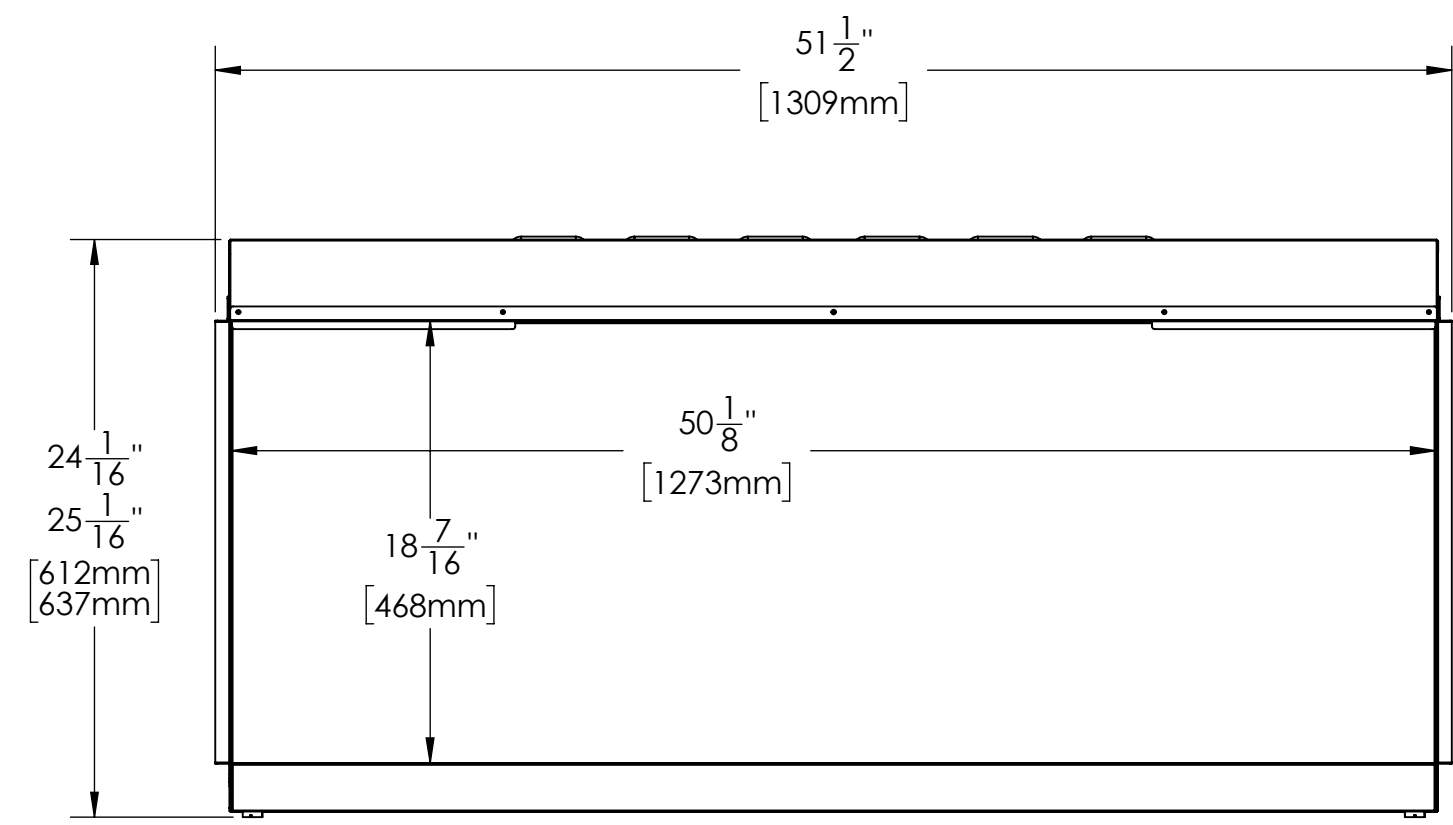
3

2

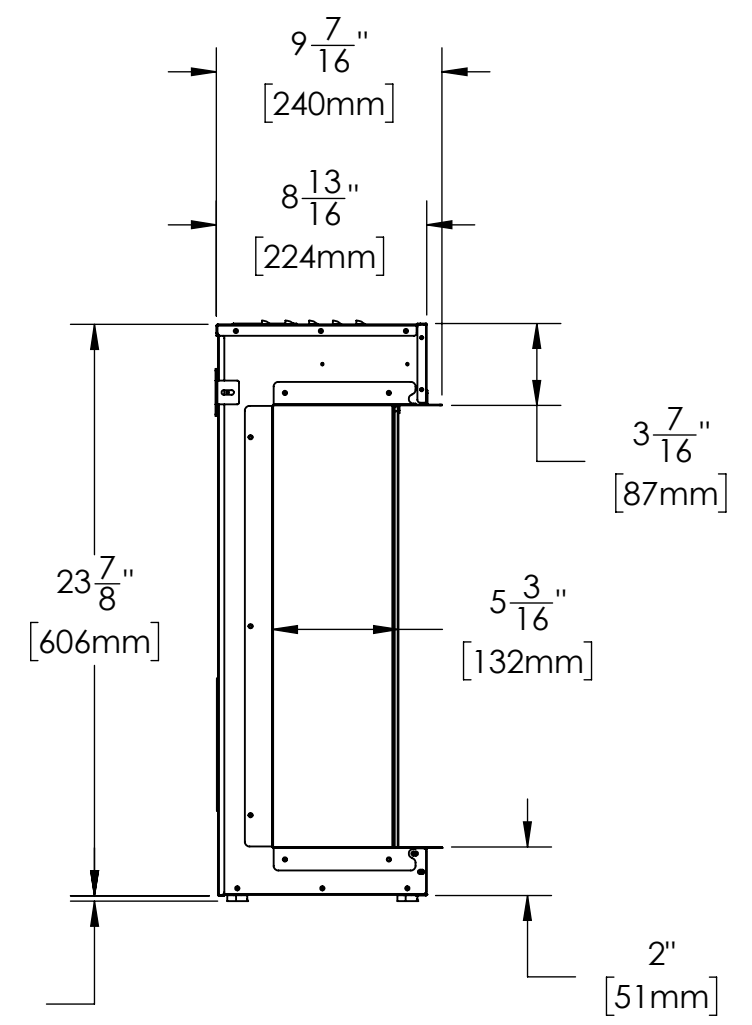
1

REVISIONS					
ZONE	REV.	DESCRIPTION	DRAWN	DATE	APPROVED

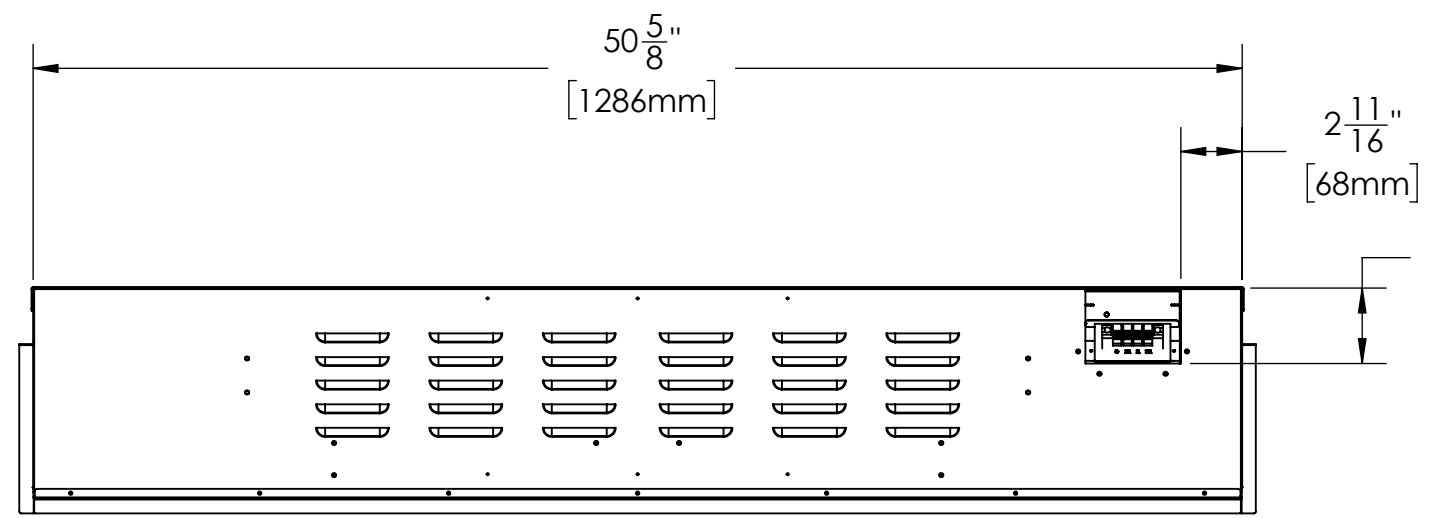
B



B



A



A

4

3

2

1

UNLESS OTHERWISE SPECIFIED:		NAME	DATE	RPG BRANDS	
DIMENSIONS ARE IN INCHES		DRAWN			TITLE: ORION MULTI 52" V1 & V2
TOLERANCES:		CHECKED			
FRACTIONAL ±1/16"		ENG APPR.			
ANGULAR: MACH ±2° BEND ±2°		MFG APPR.			
ONE PLACE DECIMAL ±.1		Q.A.			
TWO PLACE DECIMAL ±.06		PROPRIETARY AND CONFIDENTIAL THE INFORMATION CONTAINED IN THIS DRAWING IS THE SOLE PROPERTY OF RICHARDSON PRODUCTS GROUP (RPG BRANDS). ANY REPRODUCTION IN PART OR AS A WHOLE WITHOUT THE WRITTEN PERMISSION OF RICHARDSON PRODUCTS GROUP (RPG BRANDS) IS PROHIBITED.		SIZE	
THREE PLACE DECIMAL ±.030				DWG. NO.	
INTERPRET GEOMETRIC TOLERANCING PER:				REV	
MATERIAL				SCALE: 1:8	
FINISH				WEIGHT:	
DO NOT SCALE DRAWING				SHEET 1 OF 1	