

4

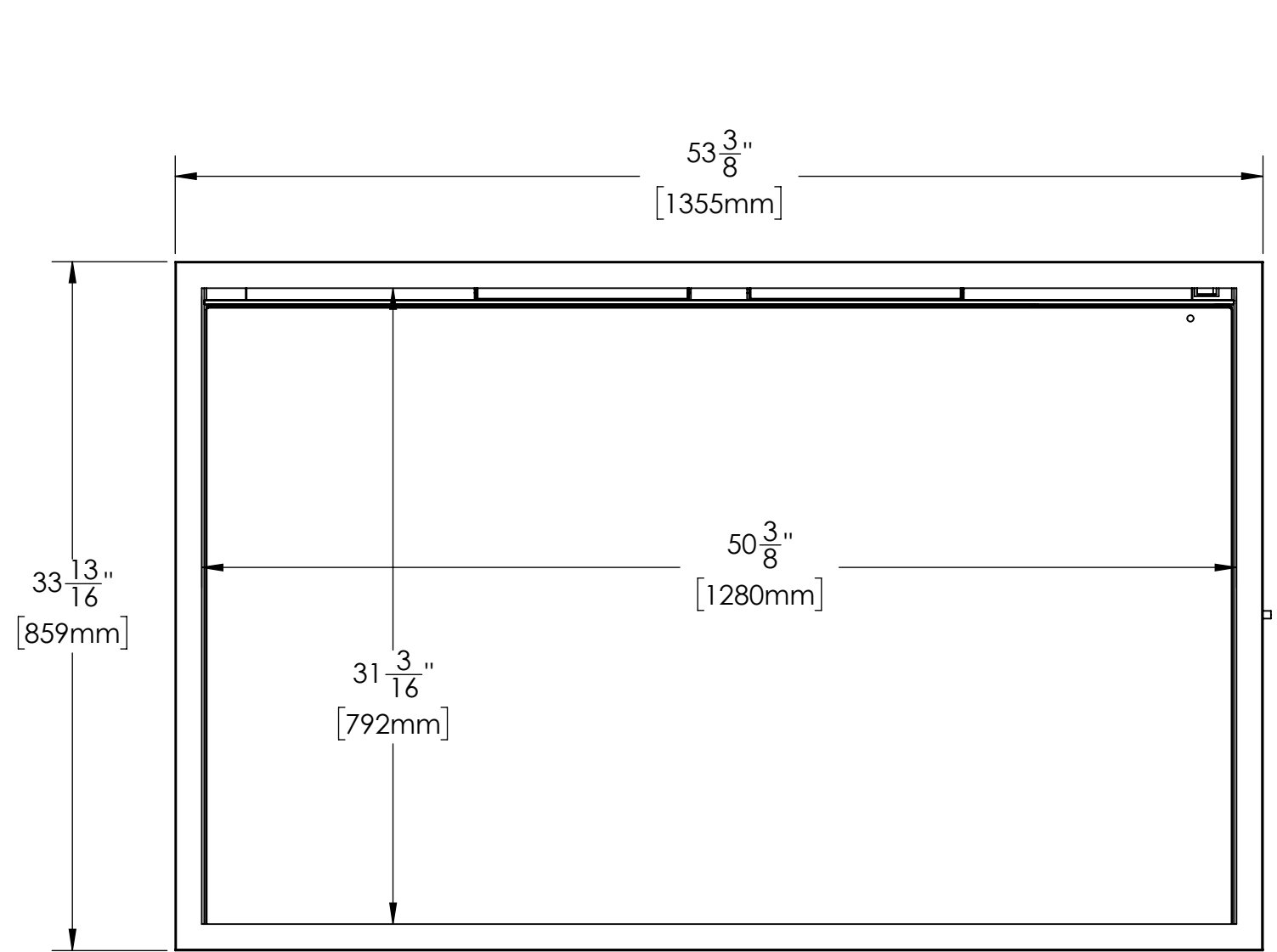
3

2

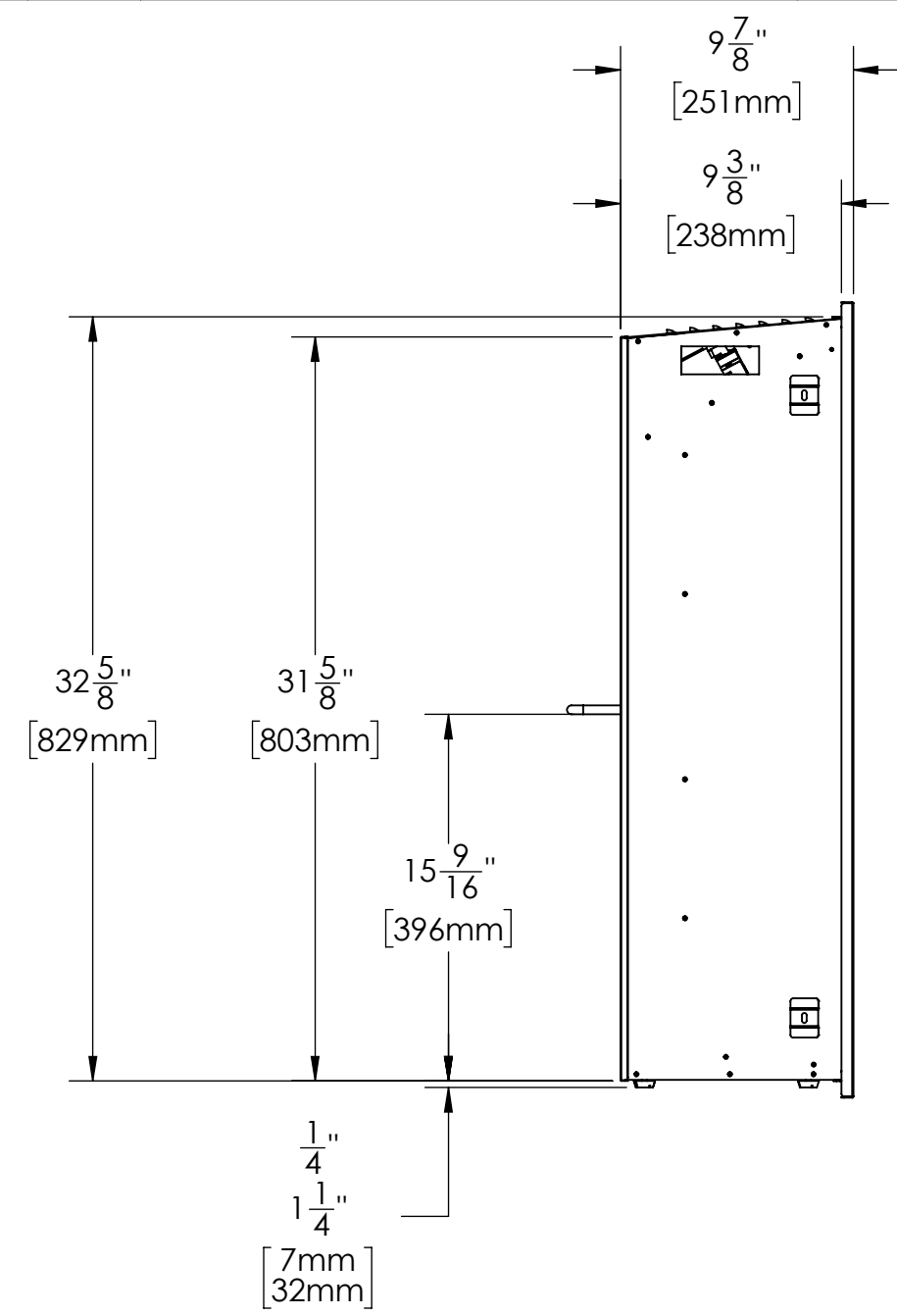
1

REVISIONS					
ZONE	REV.	DESCRIPTION	DRAWN	DATE	APPROVED

B

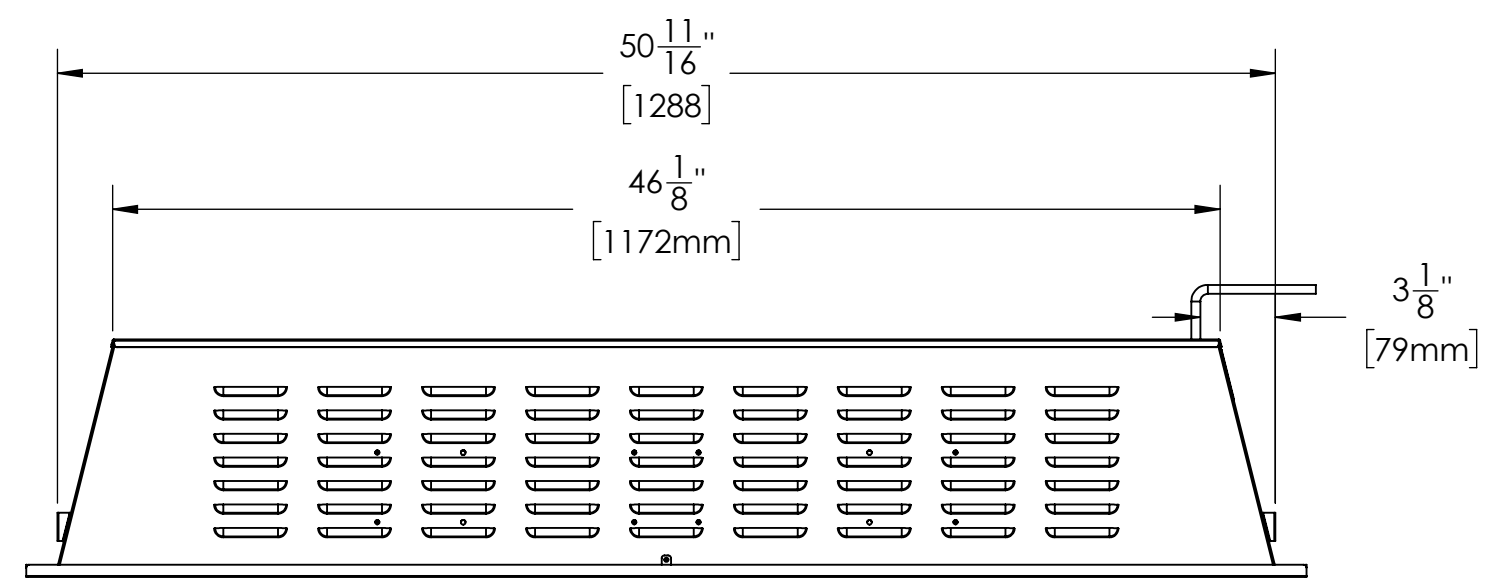


B



A

A



4

3

2

1

UNLESS OTHERWISE SPECIFIED:	NAME	DATE
DIMENSIONS ARE IN INCHES	DRAWN	
TOLERANCES:	CHECKED	
FRACTIONAL ±1/16"	ENG APPR.	
ANGULAR: MACH ±2° BEND ±2°	MFG APPR.	
ONE PLACE DECIMAL ±.1	Q.A.	
TWO PLACE DECIMAL ±.06	PROPRIETARY AND CONFIDENTIAL THE INFORMATION CONTAINED IN THIS DRAWING IS THE SOLE PROPERTY OF RICHARDSON PRODUCTS GROUP (RPG BRANDS). ANY REPRODUCTION IN PART OR AS A WHOLE WITHOUT THE WRITTEN PERMISSION OF RICHARDSON PRODUCTS GROUP (RPG BRANDS) IS PROHIBITED.	
THREE PLACE DECIMAL ±.030		
INTERPRET GEOMETRIC TOLERANCING PER:		
MATERIAL	SIZE DWG. NO. REV B OR54-Trad	
FINISH	SCALE: 1:8 WEIGHT: SHEET 1 OF 1	
DO NOT SCALE DRAWING		

RPG BRANDS

TITLE:
ORION TRADITIONAL 54"
V1 & V2