

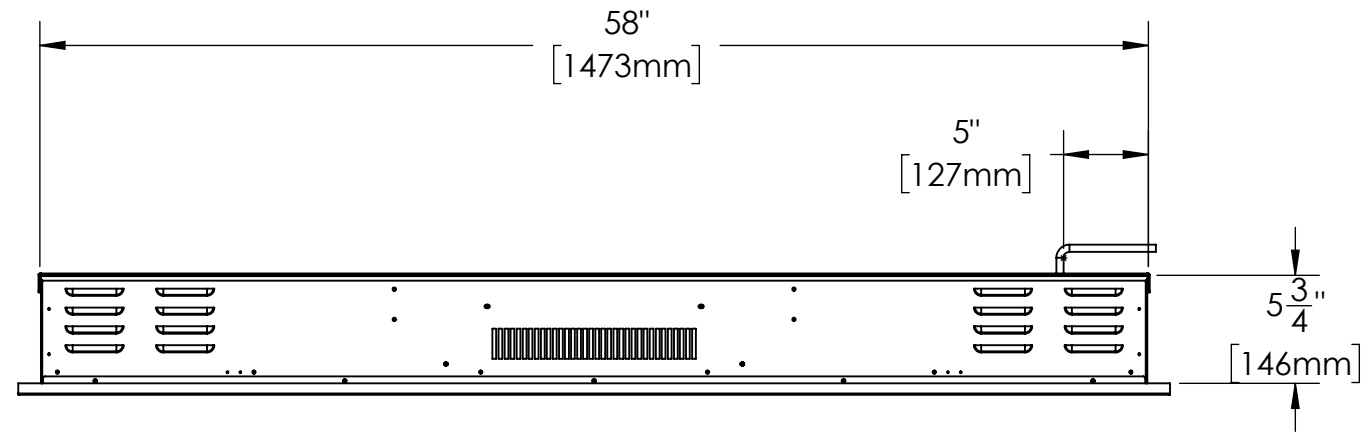
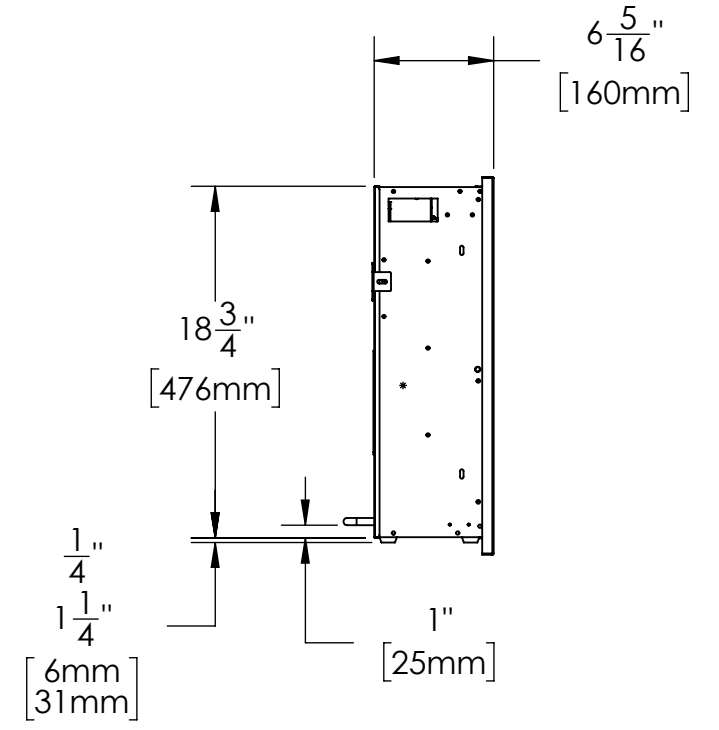
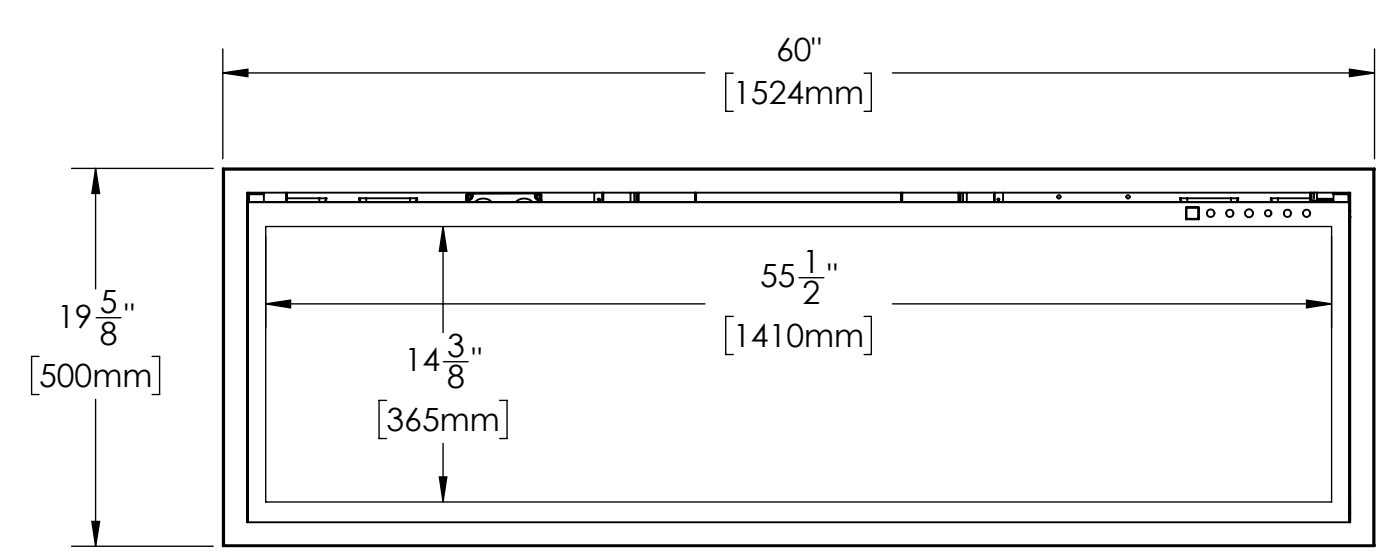
4

3

2

1

REVISIONS					
ZONE	REV.	DESCRIPTION	DRAWN	DATE	APPROVED



UNLESS OTHERWISE SPECIFIED:		NAME	DATE	<b>RPG BRANDS</b>
DIMENSIONS ARE IN INCHES		DRAWN		
TOLERANCES:		CHECKED		TITLE: ORION SLIM 60" V1 & V2
FRACTIONAL ±1/16"		ENG APPR.		
ANGULAR: MACH ±2° BEND ±2°		MFG APPR.		
ONE PLACE DECIMAL ±.1		Q.A.		SIZE DWG. NO. REV <b>B</b> OR60-Slim
TWO PLACE DECIMAL ±.06		<b>PROPRIETARY AND CONFIDENTIAL</b> THE INFORMATION CONTAINED IN THIS DRAWING IS THE SOLE PROPERTY OF RICHARDSON PRODUCTS GROUP (RPG BRANDS). ANY REPRODUCTION IN PART OR AS A WHOLE WITHOUT THE WRITTEN PERMISSION OF RICHARDSON PRODUCTS GROUP (RPG BRANDS) IS PROHIBITED.		
THREE PLACE DECIMAL ±.030		SCALE: 1:10		WEIGHT: SHEET 1 OF 1
INTERPRET GEOMETRIC TOLERANCING PER:		DO NOT SCALE DRAWING		
MATERIAL				
FINISH				

4

3

2

1