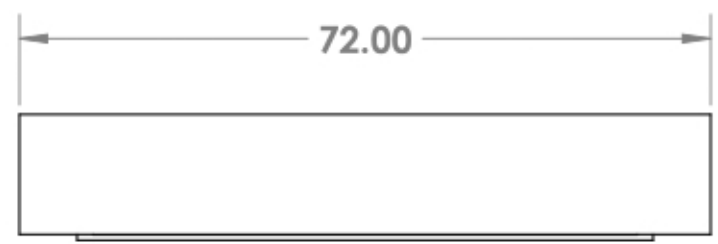


4

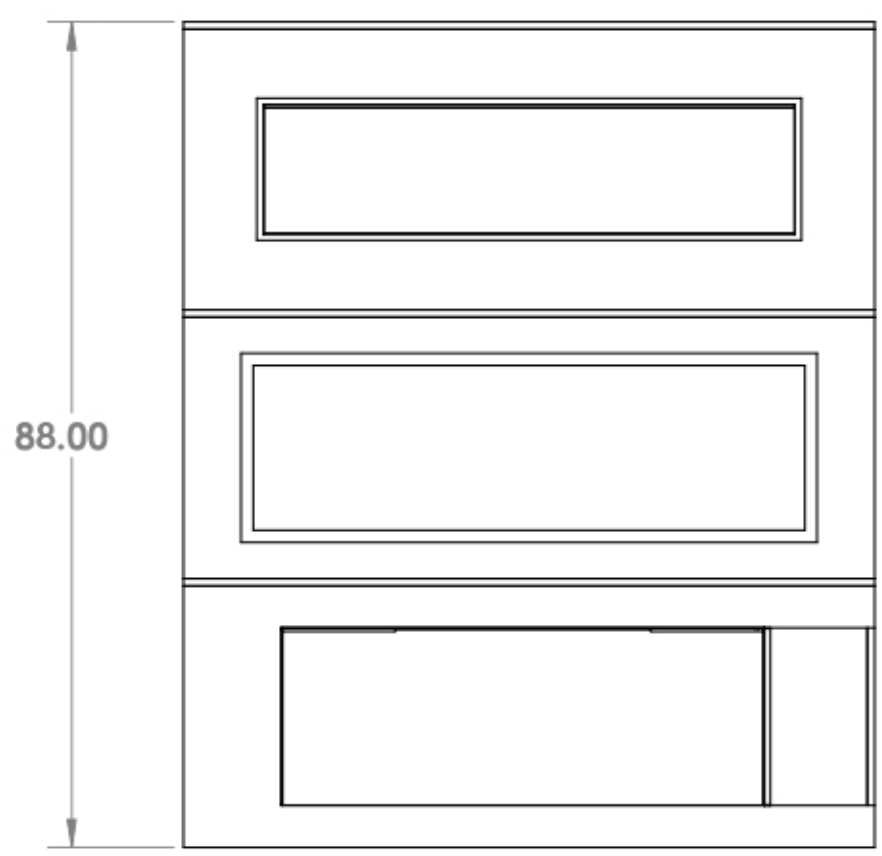
3

2

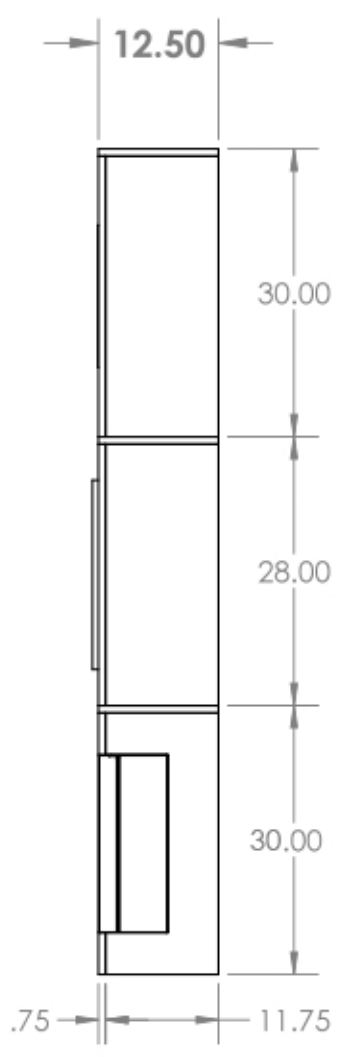
1



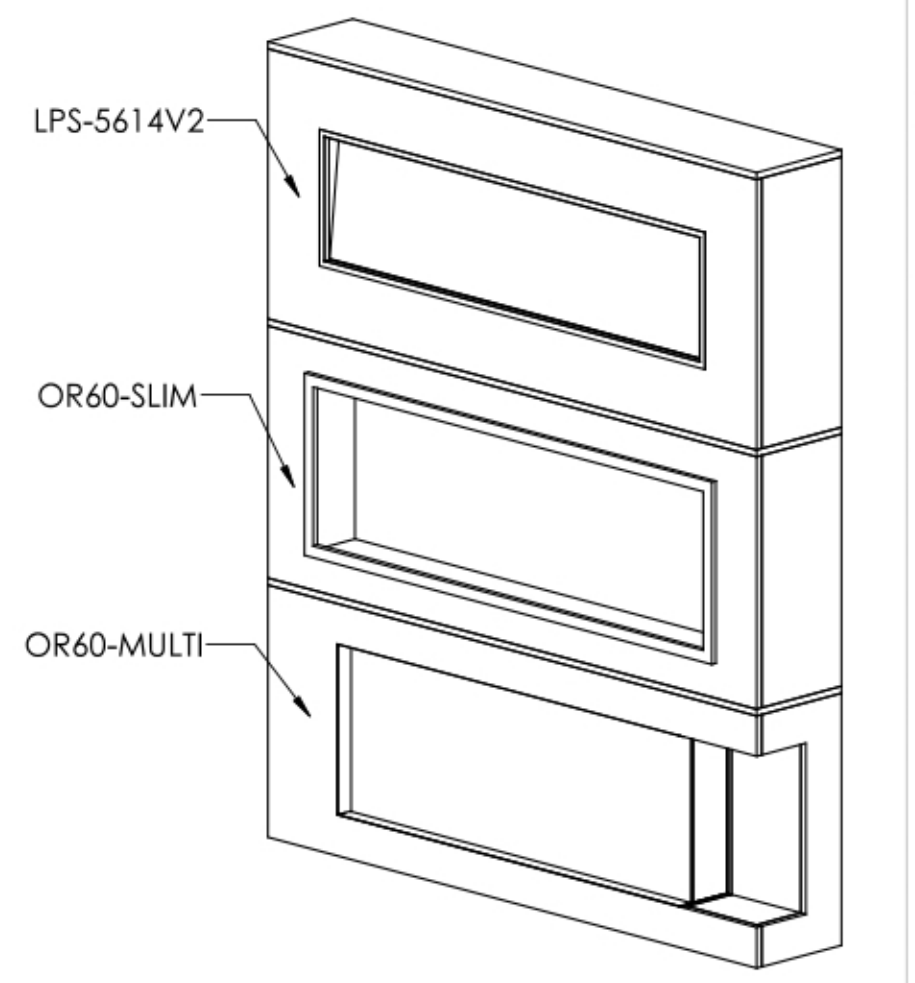
TOP VIEW



FRONT VIEW



SIDE ELEVATION



DIMETRIC VIEW

ALTERNATE ORDER #2

NOTE:  
LPM AND ORION MULTI NEVER GO ON TOP LEVEL

UNLESS OTHERWISE SPECIFIED:		NAME	DATE	<b>RPG BRANDS</b>
DIMENSIONS ARE IN INCHES		DRAWN		
TOLERANCES:		CHECKED		TITLE:
FRACTIONAL ±		ENG APPR.		PREMIUM GOOD BETTER BEST
ANGULAR: MACH ±1° BEND ±1°		MFG APPR.		MODERN FLAMES DISPLAYS
TWO PLACE DECIMAL ±.010		Q.A.		SIZE DWG. NO.
THREE PLACE DECIMAL ±.005		<b>PROPRIETARY AND CONFIDENTIAL</b> THE INFORMATION CONTAINED IN THIS DRAWING IS THE SOLE PROPERTY OF RICHARDSON'S PRODUCT GROUP. ANY REPRODUCTION IN PART OR AS A WHOLE WITHOUT THE WRITTEN PERMISSION OF RICHARDSON'S PRODUCT GROUP IS PROHIBITED.		<b>B</b> 0025-3 Stack display
INTERPRET GEOMETRIC TOLERANCING PER:	MATERIAL	DO NOT SCALE DRAWING		SCALE: 1:20 WEIGHT:
FINISH				SHEET 3 OF 8

4

3

2

1

B

B

A

A