

4

3

2

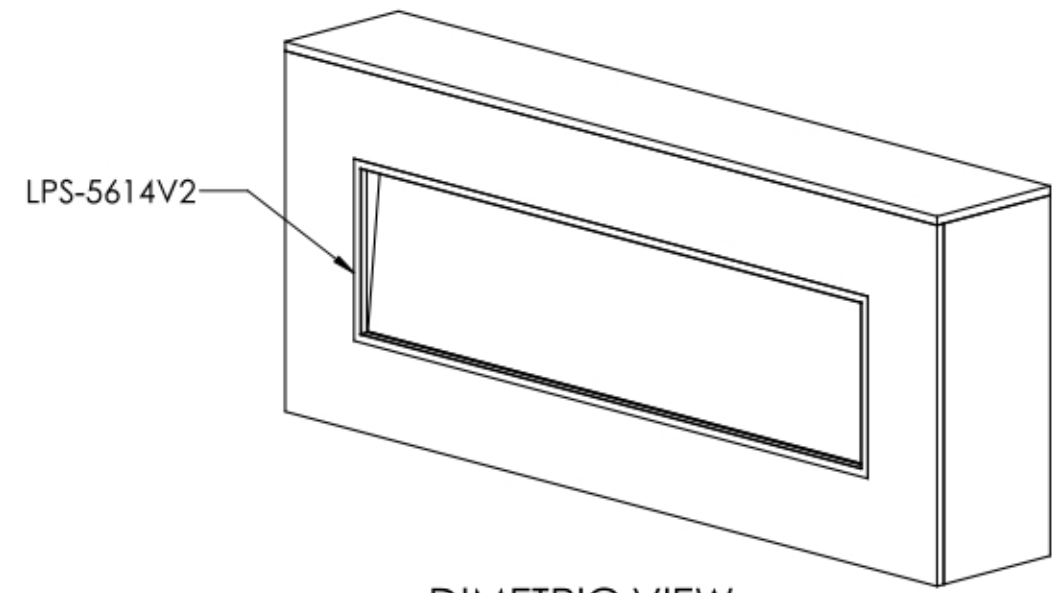
1

B

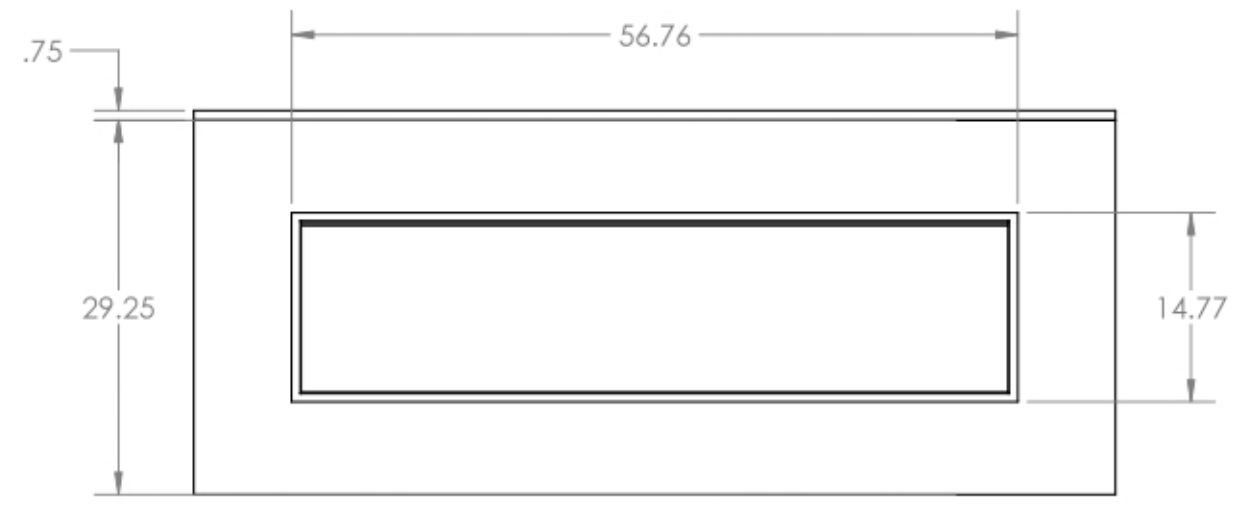
B



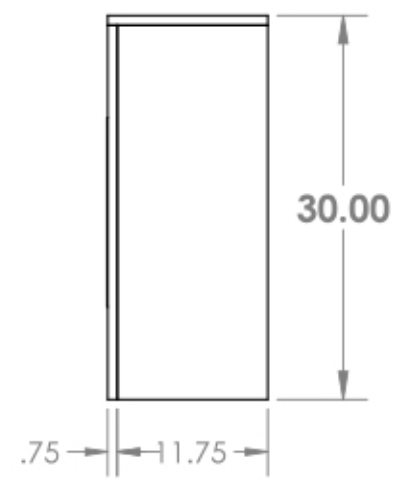
TOP VIEW



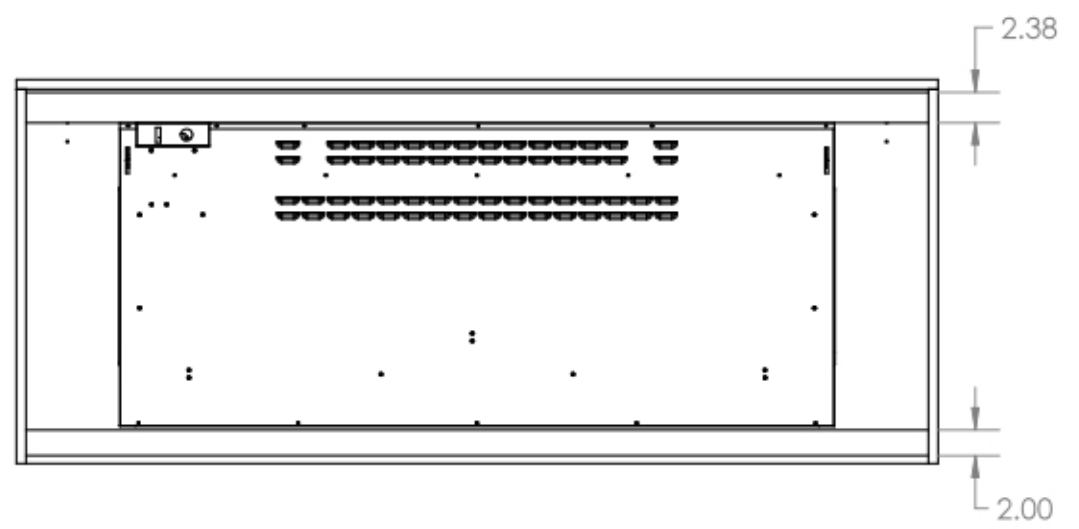
DIMETRIC VIEW



FRONT VIEW



SIDE ELEVATION



BACK VIEW

A

A

4

3

2

1

UNLESS OTHERWISE SPECIFIED:		NAME	DATE	<b>RPG BRANDS</b>
DIMENSIONS ARE IN INCHES		DRAWN		
TOLERANCES:		CHECKED		LANDSCAPE PRO SLIM V2 56" PREMIUM DISPLAY
FRACTIONAL: ±		ENG APPR.		
ANGULAR: MACH ±1° BEND ±1°		MFG APPR.		
TWO PLACE DECIMAL ±.010		Q.A.		SIZE DWG. NO.
THREE PLACE DECIMAL ±.005		<b>PROPRIETARY AND CONFIDENTIAL</b>		<b>B</b> 0025-3 Stack display
INTERPRET GEOMETRIC TOLERANCING PER:		THE INFORMATION CONTAINED IN THIS DRAWING IS THE SOLE PROPERTY OF RICHARDSON'S PRODUCT GROUP. ANY REPRODUCTION IN PART OR AS A WHOLE WITHOUT THE WRITTEN PERMISSION OF RICHARDSON'S PRODUCT GROUP IS PROHIBITED.		SCALE: 1:15 WEIGHT:
MATERIAL				SHEET 6 OF 8
FINISH				
DO NOT SCALE DRAWING				