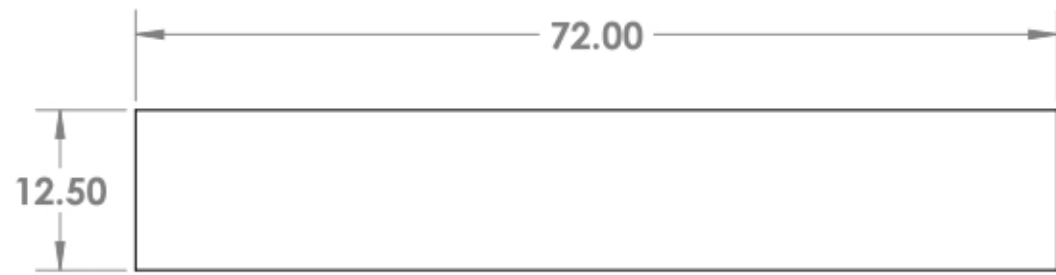


4

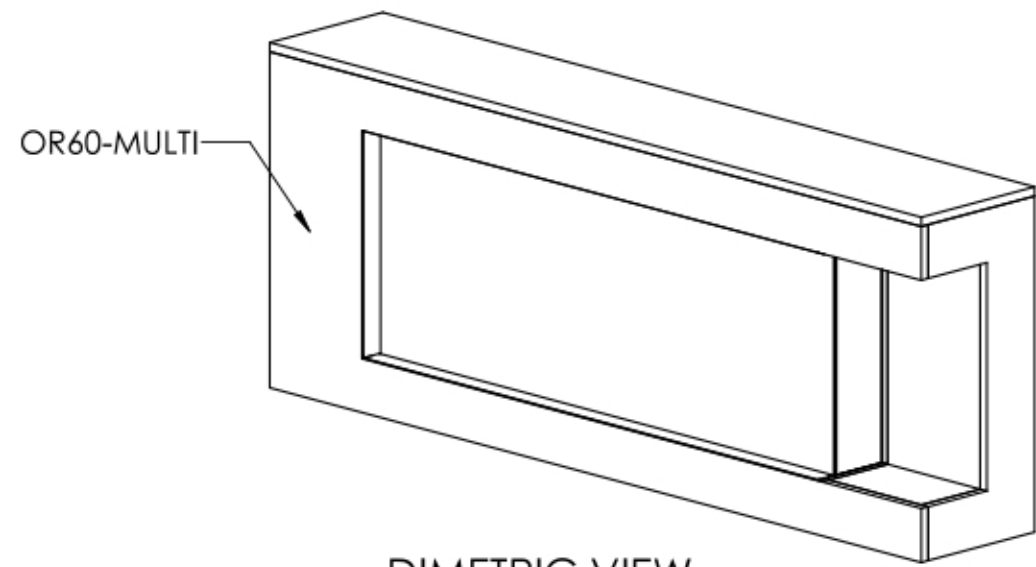
3

2

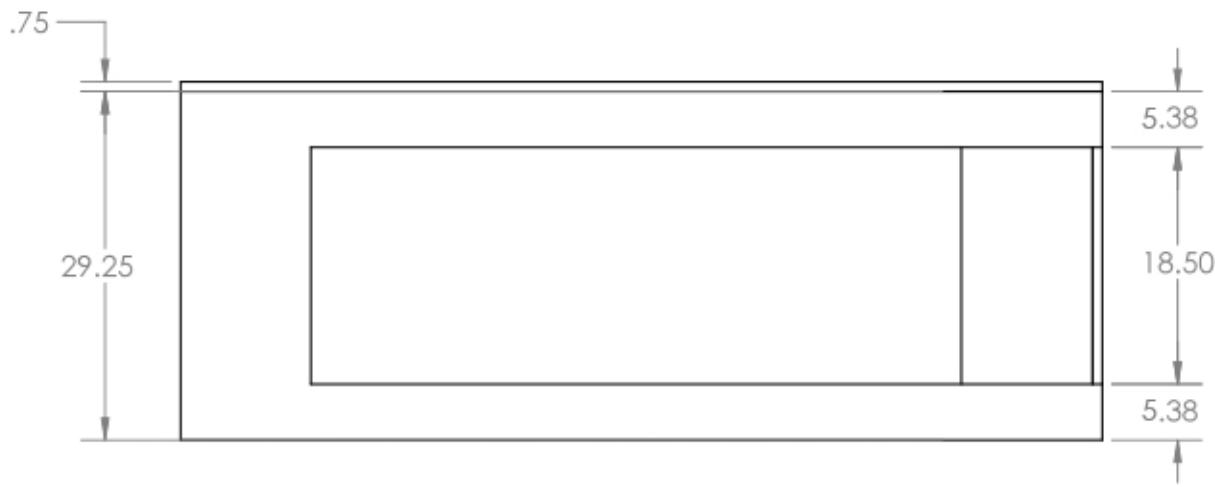
1



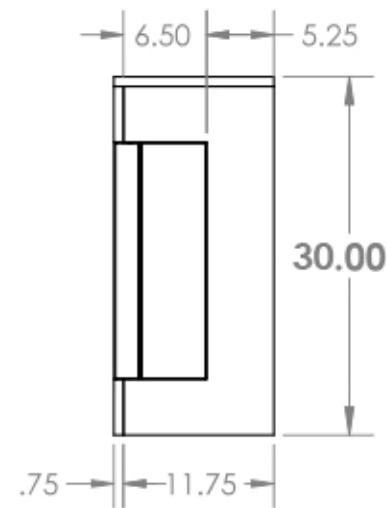
TOP VIEW



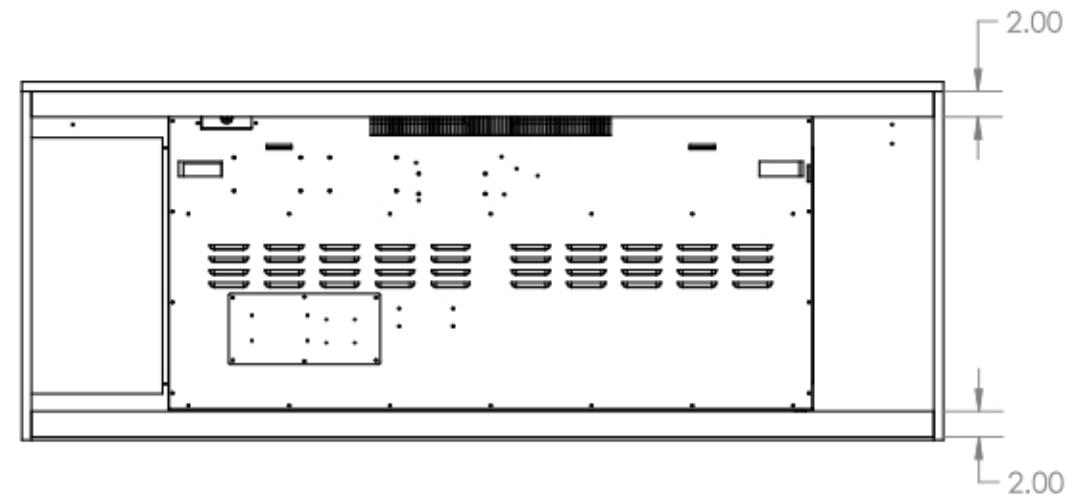
DIMETRIC VIEW



FRONT VIEW



SIDE ELEVATION



BACK VIEW

UNLESS OTHERWISE SPECIFIED:		NAME	DATE	<b>RPG BRANDS</b>
DIMENSIONS ARE IN INCHES		DRAWN		
TOLERANCES:		CHECKED		ORION MULTI 60" PREMIUM DISPLAY
FRACTIONAL: ±		ENG APPR.		
ANGULAR: MACH ±1° BEND ±1°		MFG APPR.		SIZE DWG. NO.
TWO PLACE DECIMAL ±.010		Q.A.		<b>B</b> 0025-3 Stack display
THREE PLACE DECIMAL ±.005		<b>PROPRIETARY AND CONFIDENTIAL</b>		SCALE: 1:15 WEIGHT:
INTERPRET GEOMETRIC TOLERANCING PER:		THE INFORMATION CONTAINED IN THIS DRAWING IS THE SOLE PROPERTY OF RICHARDSON'S PRODUCT GROUP. ANY REPRODUCTION IN PART OR AS A WHOLE WITHOUT THE WRITTEN PERMISSION OF RICHARDSON'S PRODUCT GROUP IS PROHIBITED.		SHEET 8 OF 8
MATERIAL		DO NOT SCALE DRAWING		
FINISH				

4

3

2

1

B

B

A

A