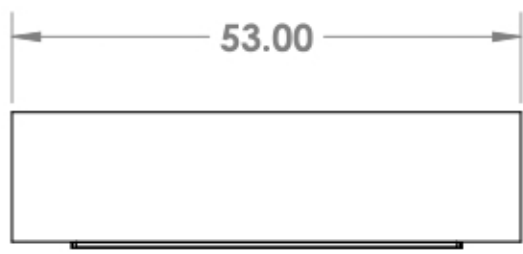


4

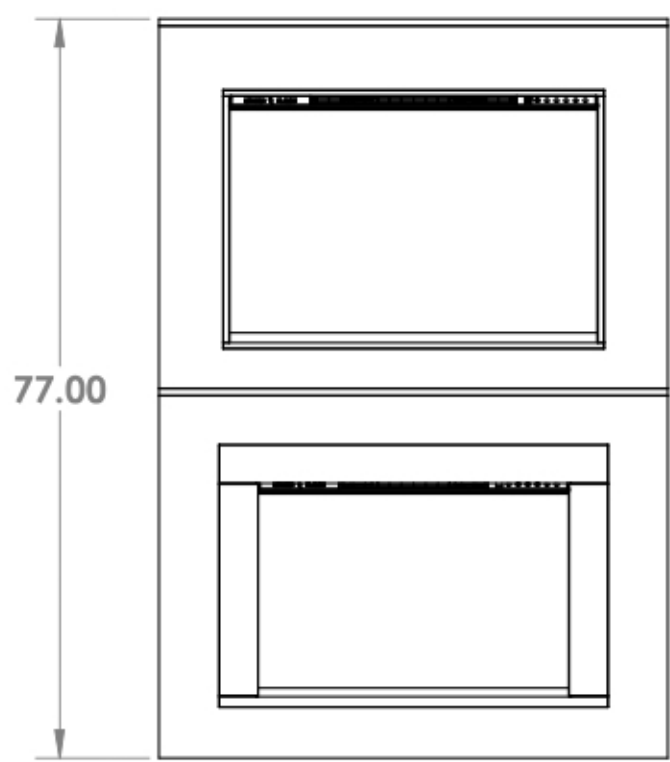
3

2

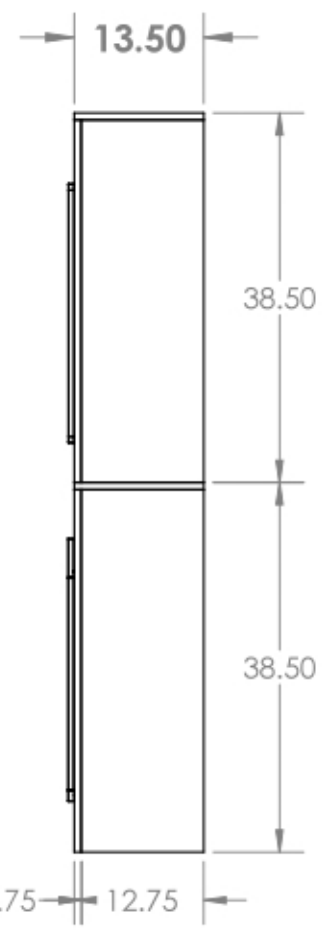
1



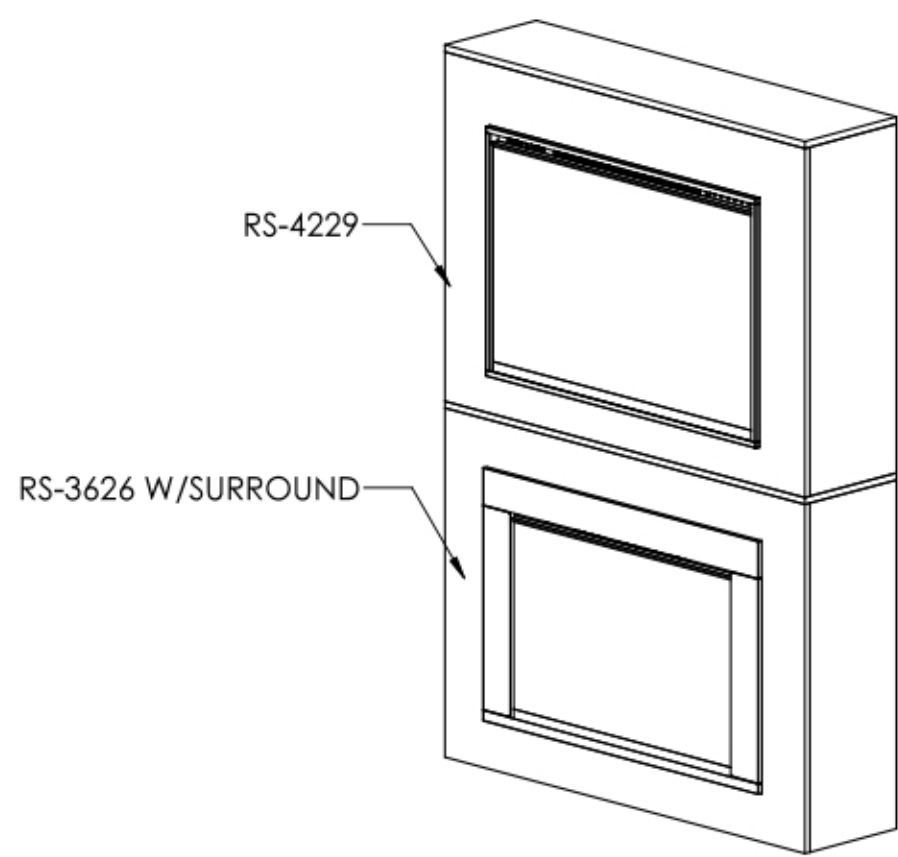
TOP VIEW



FRONT VIEW



SIDE ELEVATION



DIMETRIC VIEW

UNLESS OTHERWISE SPECIFIED:

DIMENSIONS ARE IN INCHES  
 TOLERANCES:  
 FRACTIONAL ±  
 ANGULAR: MACH ±1° BEND ±1°  
 TWO PLACE DECIMAL ±.010  
 THREE PLACE DECIMAL ±.005

INTERPRET GEOMETRIC TOLERANCING PER:

MATERIAL

FINISH

DO NOT SCALE DRAWING

	NAME	DATE
DRAWN	LP	
CHECKED	HA	
ENG APPR.		
MFG APPR.		
Q.A.		

**PROPRIETARY AND CONFIDENTIAL**  
 THE INFORMATION CONTAINED IN THIS DRAWING IS THE SOLE PROPERTY OF RICHARDSON'S PRODUCT GROUP. ANY REPRODUCTION IN PART OR AS A WHOLE WITHOUT THE WRITTEN PERMISSION OF RICHARDSON'S PRODUCT GROUP IS PROHIBITED.

<b>RPG BRANDS</b>	
TITLE: <b>PREMIUM REDSTONE MODERN FLAMES DISPLAYS</b>	
SIZE <b>B</b>	DWG. NO. 0025-2 Stack display
SCALE: 1:20	WEIGHT: SHEET 1 OF 6

4

3

2

1

B

B

A

A