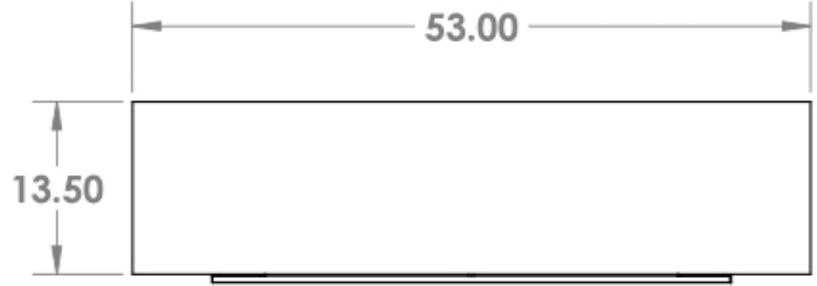


4

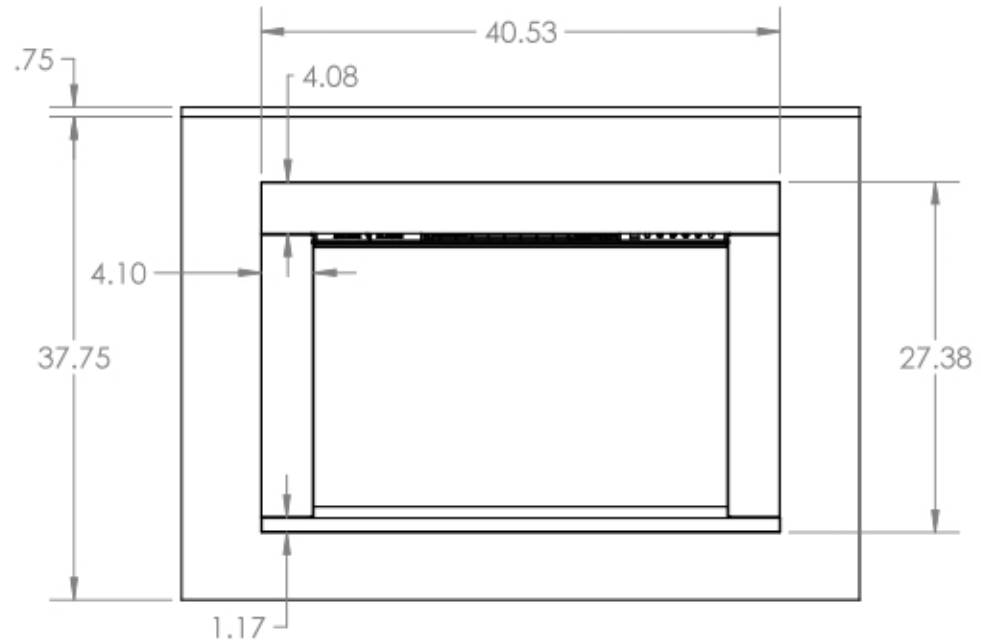
3

2

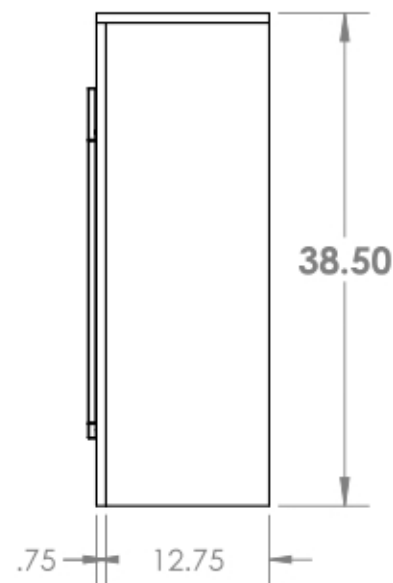
1



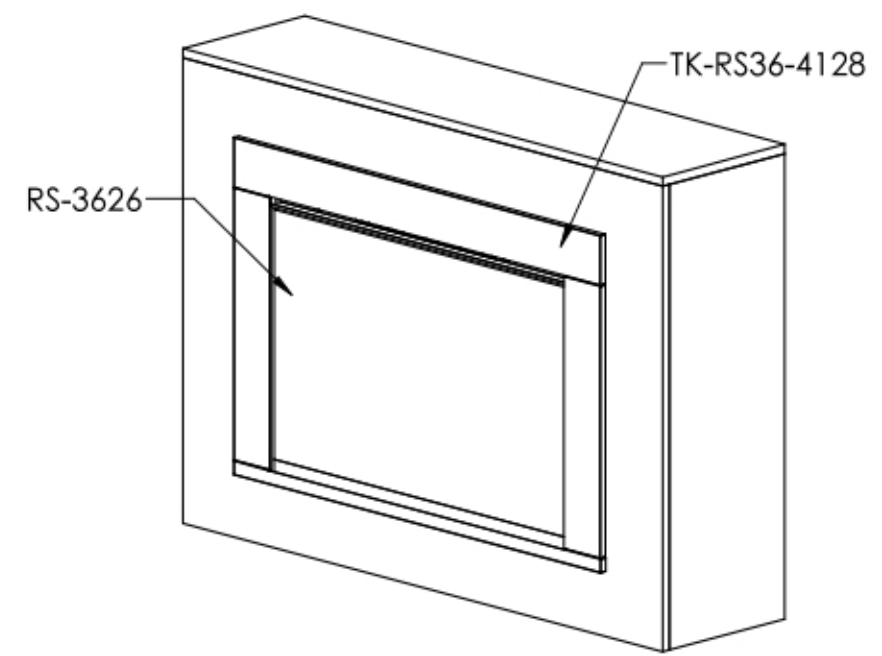
TOP VIEW



FRONT VIEW



SIDE ELEVATION



DIMETRIC VIEW

UNLESS OTHERWISE SPECIFIED:		NAME	DATE	RPG BRANDS
DIMENSIONS ARE IN INCHES		DRAWN	L P	
TOLERANCES:		CHECKED	H A	TITLE: REDSTONE 36" W/41" x 28" SURROUND PREMIUM DISPLAY
FRACTIONAL ±		ENG APPR.		
ANGULAR: MACH ±1° BEND ±1°		MFG APPR.		
TWO PLACE DECIMAL ±.010		Q.A.		
THREE PLACE DECIMAL ±.005		PROPRIETARY AND CONFIDENTIAL THE INFORMATION CONTAINED IN THIS DRAWING IS THE SOLE PROPERTY OF RICHARDSON'S PRODUCT GROUP. ANY REPRODUCTION IN PART OR AS A WHOLE WITHOUT THE WRITTEN PERMISSION OF RICHARDSON'S PRODUCT GROUP IS PROHIBITED.		SIZE DWG. NO.
INTERPRET GEOMETRIC TOLERANCING PER:	MATERIAL			B 0025-2 Stack display
FINISH	DO NOT SCALE DRAWING			SCALE: 1:15 WEIGHT: SHEET 3 OF 6

4

3

2

1

B

B

A

A