

4

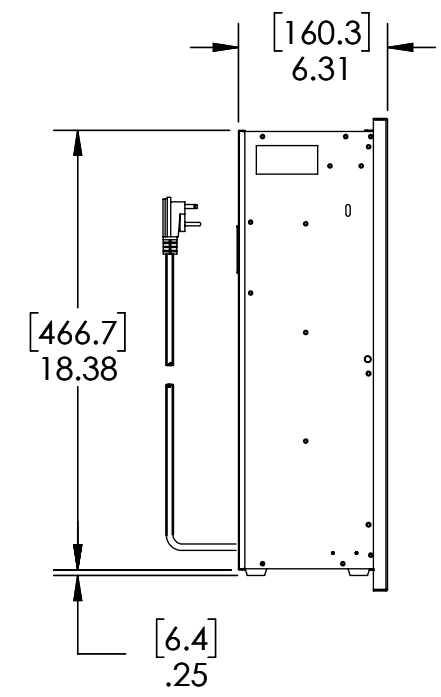
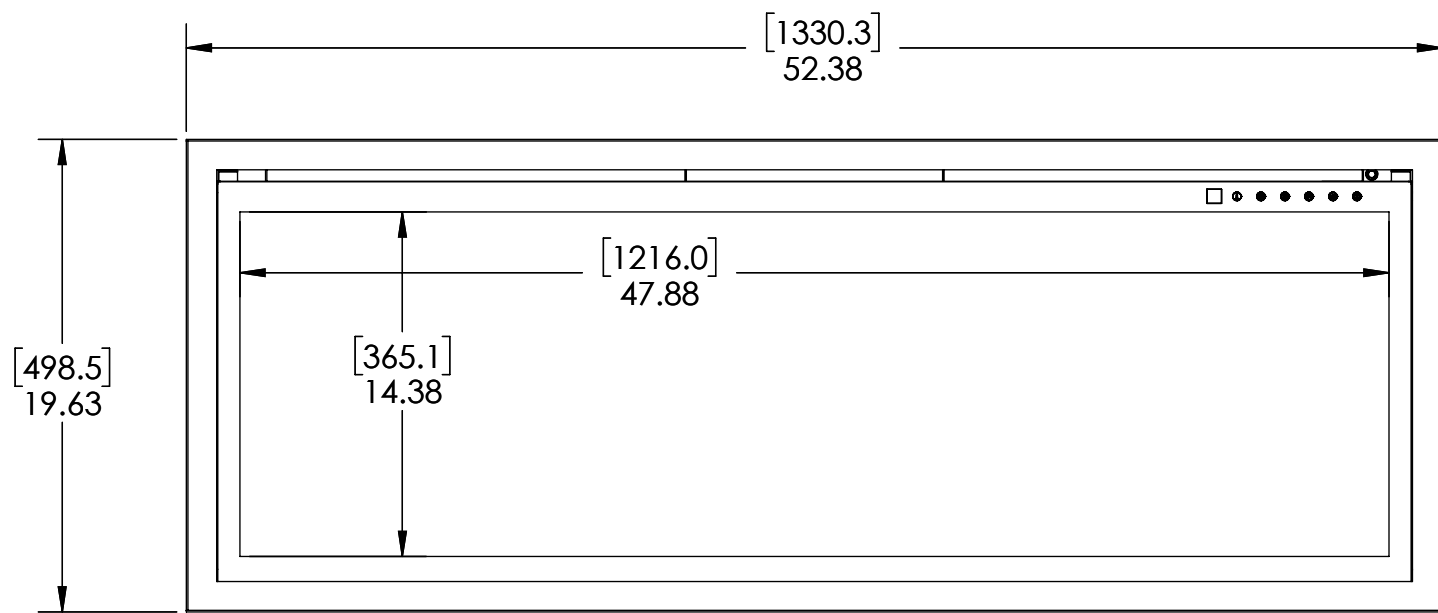
3

2

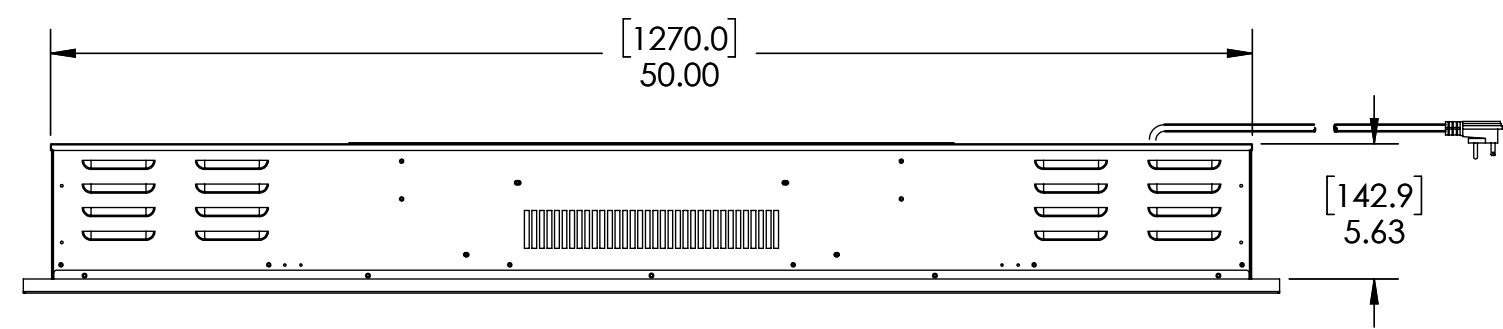
1

REVISIONS				
ZONE	REV.	DESCRIPTION	DATE	APPROVED

B



A



B

A

4

3

2

1

UNLESS OTHERWISE SPECIFIED:		NAME	DATE	RPG BRANDS		
DIMENSIONS ARE IN INCHES		DRAWN				
TOLERANCES:		CHECKED				
FRACTIONAL ±		ENG APPR.				
ANGULAR: MACH ±1° BEND ±1		MFG APPR.				
TWO PLACE DECIMAL ±.010		Q.A.		TITLE: ORION SLIM 52"		
THREE PLACE DECIMAL ±.005		PROPRIETARY AND CONFIDENTIAL THE INFORMATION CONTAINED IN THIS DRAWING IS THE SOLE PROPERTY OF RICHARDSON'S PRODUCT GROUP. ANY REPRODUCTION IN PART OR AS A WHOLE WITHOUT THE WRITTEN PERMISSION OF RICHARDSON'S PRODUCT GROUP IS PROHIBITED.		SIZE B	DWG. NO.	REV
INTERPRET GEOMETRIC TOLERANCING PER:				SCALE: 1:8	WEIGHT:	SHEET 1 OF 1
MATERIAL						
FINISH						
DO NOT SCALE DRAWING						